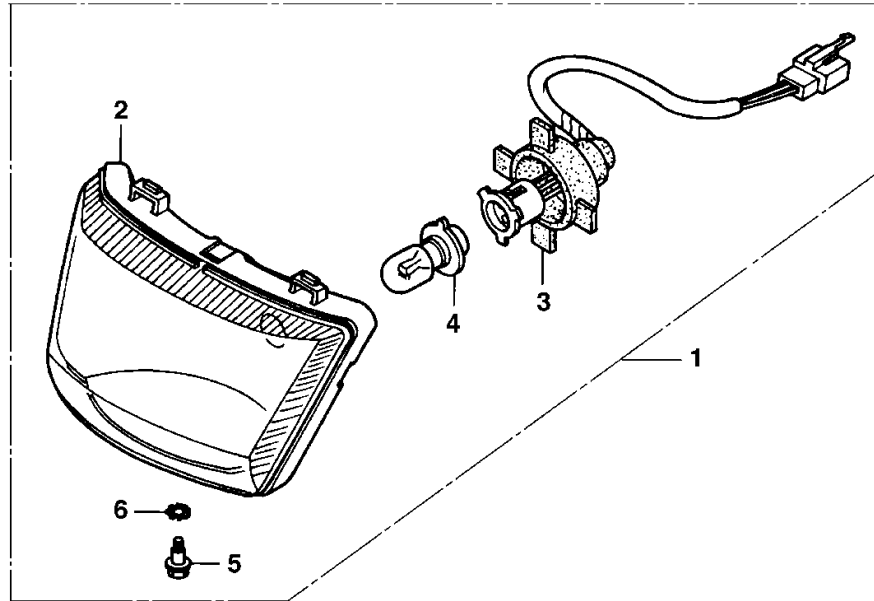


F - 1
Headlight

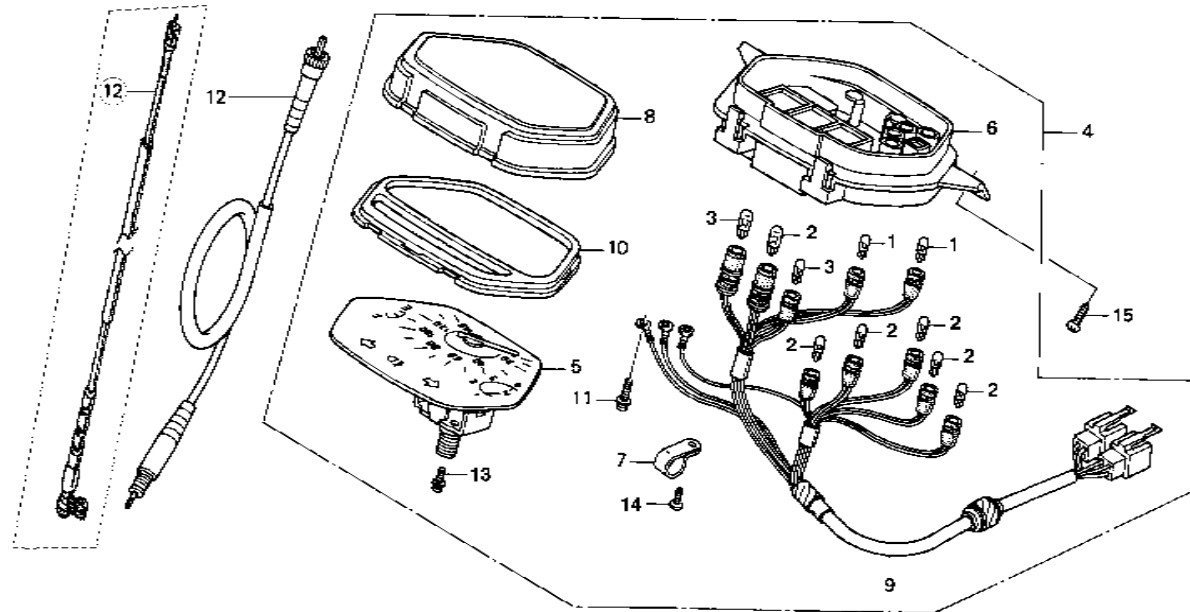


KEVF - NF100

3

Service item	F.R.T.	No.	Part Number	Description	Q'ty	Notes
HEADLIGHT UNIT.....	0.2	1	33100-KEV-950	LIGHT ASSY., HEAD	1	
. SOCKET COMP., HEADLIGHT		2	33120-KEV-950	HEADLIGHT UNIT	1	
. BULB, HEADLIGHT		3	33130-KEV-950	SOCKET COMP., HEADLIGHT	1	
		4	34901-KEV-950	BULB, HEADLIGHT	1	
		5	90101-GJ6-000	BOLT, ADJUSTING	1	
		6	90307-GJ6-003	WASHER, LOCK, 6MM	1	

F - 2 Meter

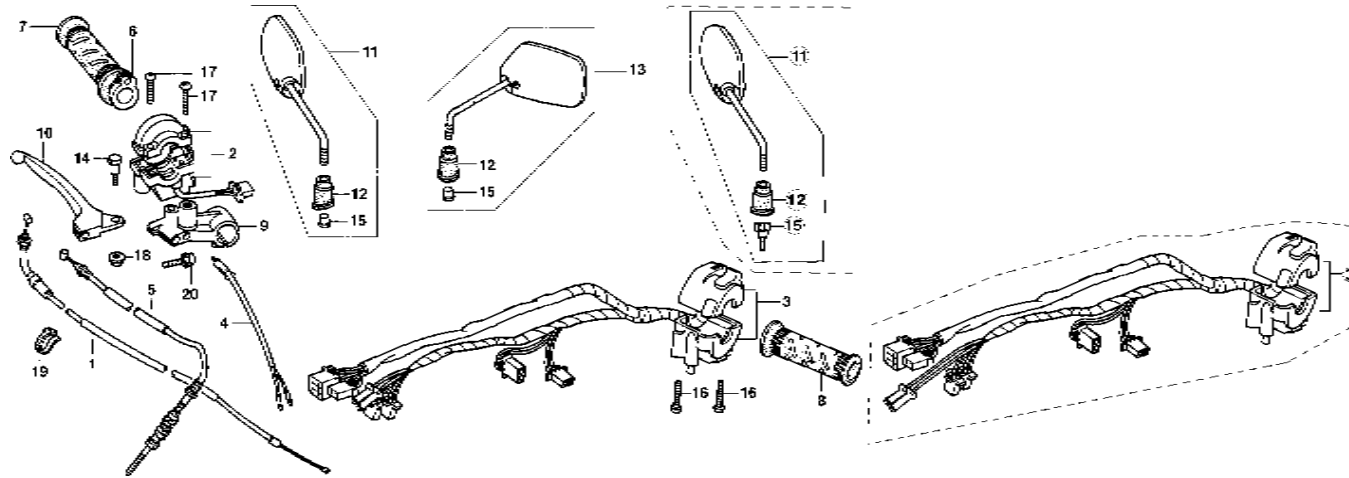


KEVJ

Service item	F.R.T.	No.	Part Number	Description	Q'ty	Notes
		1	34908-KCS-920	BULB, WEDGE BASE (T10)	2	
		2	34918-KCS-920	BULB, WEDGE BASE (T6.5)	6	
		3	34928-KCS-920	BULB, WEDGE BASE (T6.5)	2	
		4	37200-KEV-950	SPEEDOMETER ASSY.	1	
		5	37210-KEV-880	SPEEDOMETER COMP.	1	
		6	37212-KEV-880	CASE ASSY.	1	
		7	37215-KEV-920	CLAMP	1	
		8	37221-KEV-950	LENS	1	
		9	37223-KEV-920	SOCKET COMP.	1	
		10	37302-KEV-880	PLATE, REFLECTING	1	
		11	37305-GW3-780	SCREW-WASHER, 3x22	3	
		12	44830-KEV-880	CABLE COMP., SPEEDOMETER	1	
		⑫	44830-KEV-650	CABLE COMP., SPEEDOMETER	1	SUPRA DISK BRAKE
		13	90035-GW3-980	SCREW-WASHER, SPECIAL, 4x10	2	
		14	93903-24420	SCREW, TAPPING, 4x16	1	
		15	93903-25310	SCREW, TAPPING, 5x16	2	

15.11.1998

F - 3A Switch/Cable

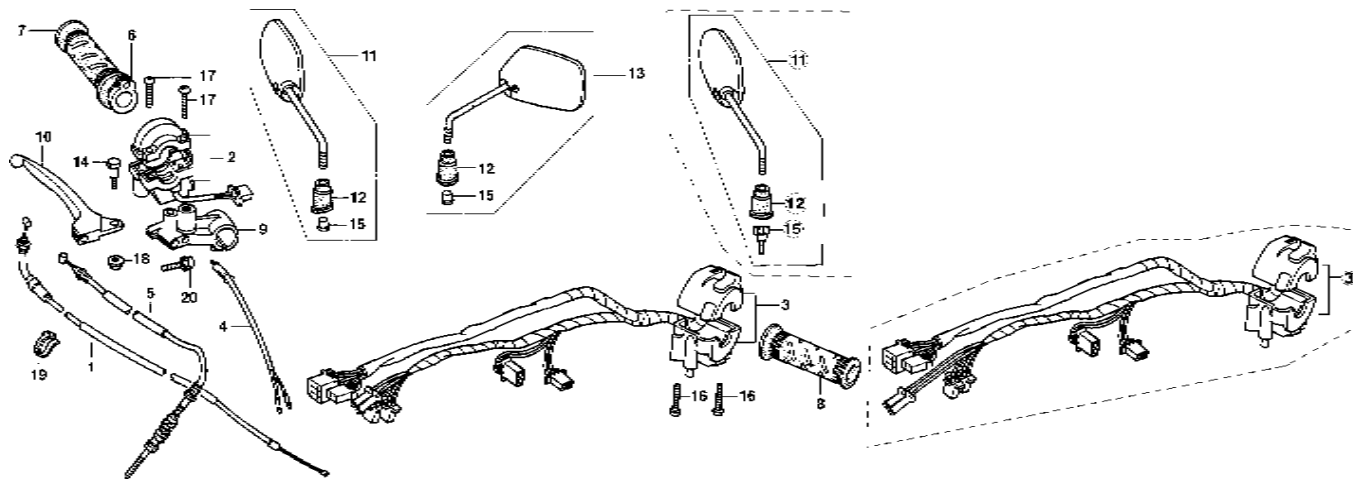


KEVJ

Service item	F.R.T.	No.	Part Number	Description	Q'ty	Notes
		1	17910-KEV-900	CABLE COMP., THROTTLE	1	
		2	35150-KEV-900	SWITCH ASSY., STARTER	1	
		3	35200-KEV-950	SWITCH ASSY., WINKER	1	
		③	35200-KEV-650	SWITCH ASSY., WINKER	1	SUPRA DISK BRAKE
		4	35340-KEV-950	SWITCH ASSY., FR. STOP	1	
		5	45450-KEV-880	CABLE COMP., FR. BRAKE	1	
		6	53141-KEV-FM0	PIPE, THROTTLE GRIP	1	
		7	53165-KEV-FM0	GRIP, R. HANDLE	1	
		8	53166-KEV-FM0	GRIP, L. HANDLE	1	
		9	53171-KEV-880	LEVER, R. HANDLE	1	
		10	53175-KET-900	LEVER, R. STEERING HANDLE	1	
		11	88110-KEV-FM0	MIRROR ASSY., R. BACK	1	
		⑪	88110-KEV-650	MIRROR ASSY., R. BACK	1	SUPRA DISK BRAKE
		12	88113-KET-900	CAP, LOCK NUT	2	
		13	88120-KEV-FM0	MIRROR ASSY., L. BACK	1	
		14	90115-GEO-000	BOLT, HANDLE LEVER PIVOT	1	
		15	90413-KET-900	NUT, LOCK	2	
		⑮	90003-KEV-650	BOLT, ADPT.	2	SUPRA DISK BRAKE

15.11.1998

F - 3A Switch/Cable

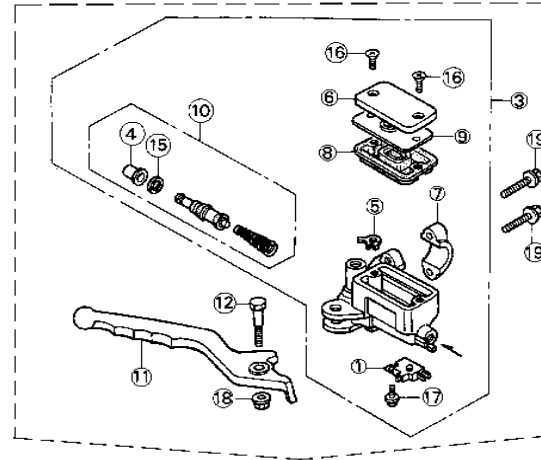
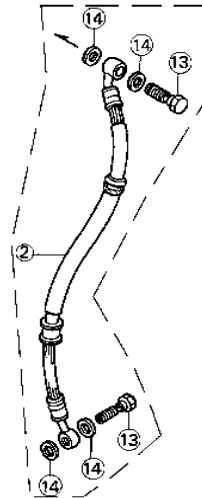


KEVJ

Service item	F.R.T.	No.	Part Number	Description	Q'ty	Notes
		16	93500-05020-0G	SCREW, PAN, 5x20	2	
		17	93500-05025-0G	SCREW, PAN, 5x25	2	
		18	94001-05000-0S	NUT, HEX., 5MM	1	
		19	95014-62100	BAND B1, WIRE	1	
		20	96001-06025-07	BOLT, FLANGE, 6x25	1	

15.11.1998

F - 3B Handle lever

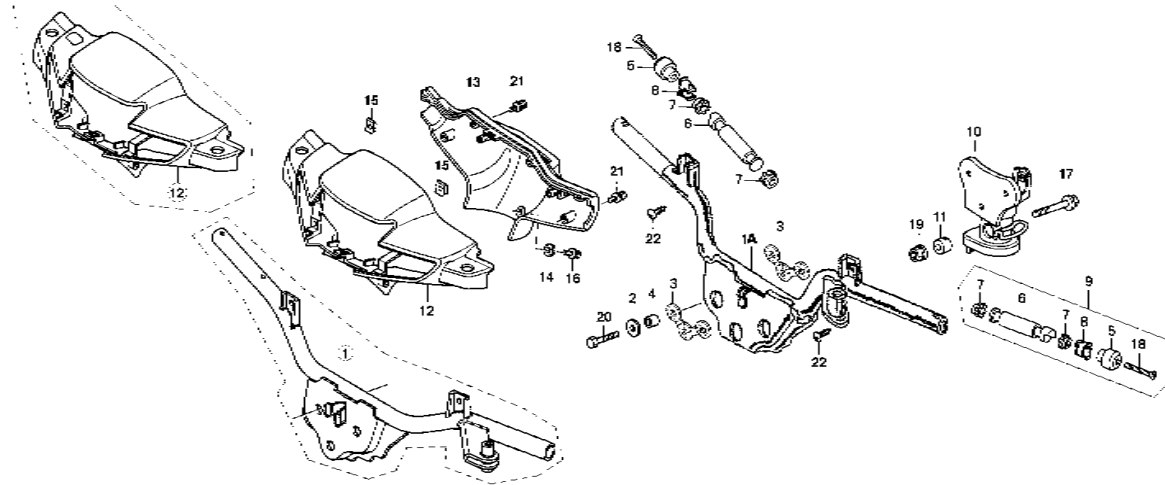


KEVJ

Service item	F.R.T.	No.	Part Number	Description	Q'ty	Notes
		①	35340-GW3-980	SWITCH ASSY, FR. STOP	1	SUPRA DISK BRAKE
		②	45126-KEV-650	HOSE COMP, FR.BRAKE	1	SUPRA DISK BRAKE
		③	45500-KEV-650	CYLINDER ASSY., FR. MASTER	1	SUPRA DISK BRAKE
		④	45504-410-003	BOOT COMP	1	SUPRA DISK BRAKE
		⑤	45512-GW3-980	PROTECTOR	1	SUPRA DISK BRAKE
		⑥	45513-GW3-980	CAP, MASTER CYLINDER	1	SUPRA DISK BRAKE
		⑦	45517-KCW-880	HOLDER, MASTER CYLINDER	1	SUPRA DISK BRAKE
		⑧	45520-GW3-980	DIAPHRAGMA	1	SUPRA DISK BRAKE
		⑨	45521-GW3-980	PLATE, DIAPHRAGMA	1	SUPRA DISK BRAKE
		⑩	45530-KET-920	CYLINDER SET, MASTER	1	SUPRA DISK BRAKE
		⑪	53175-KET-920	LEVER, R. STEERING HANDLE	1	SUPRA DISK BRAKE
		⑫	90114-GW3-980	BOLT, HANDLE LEVER PIVOT	1	SUPRA DISK BRAKE
		⑬	90145-MS9-612	BOLT, OIL, 10x22	1	SUPRA DISK BRAKE
		⑭	90545-300-000	WASHER, OIL BOLT	4	SUPRA DISK BRAKE
		⑮	90651-MA5-671	CIRCLIP	1	SUPRA DISK BRAKE
		⑯	93600-04012-1G	SCREW, FLAT, 4x12	2	SUPRA DISK BRAKE
		⑰	93893-04012-17	SCREW WASHER, 4x12	1	SUPRA DISK BRAKE
		⑱	94050-06000	NUT, FLANGE, 6 MM	1	SUPRA DISK BRAKE
		⑲	95701-06022-17	BOLT, FLANGE, 6x22	2	SUPRA DISK BRAKE

15.11.1998

F - 4 Steering handle/ Handle cover

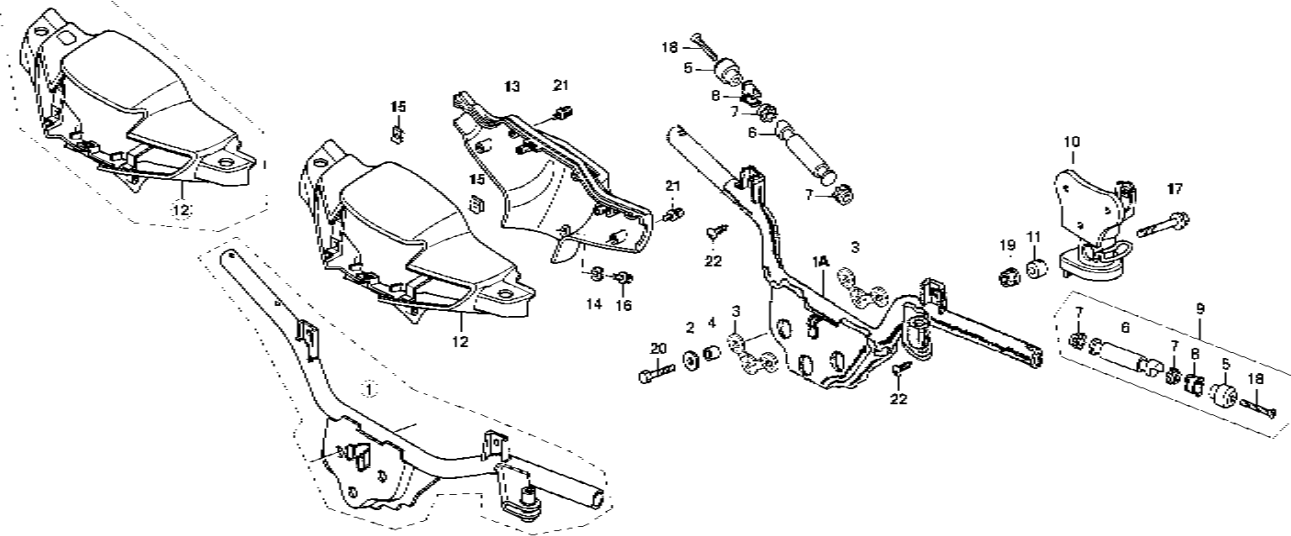


KEVJ

Service item	F.R.T.	No.	Part Number	Description	Q'ty	Notes
		1	53100-KEV-880	HANDLE COMP., STEERING	1	
		①	53100-KEV-650	HANDLE COMP., STEERING	1	SUPRA DISK BRAKE
		2	53101-GN5-900	PLATE, HANDLE SETTING	3	
		3	53102-GN5-960	RUBBER, HANDLE MOUNTING	2	
		4	53103-KEV-900	COLLAR, HANDLE SETTING	3	
		5	53105-KEV-900	WEIGHT A, STEERING HANDLE	2	
		6	53106-KEV-900	WEIGHT B, STEERING HANDLE	2	
		7	53107-MB6-630	RUBBER, HANDLE WEIGHT	4	
		8	53108-KR3-770	RING, HANDLE WEIGHT SNAP	2	
		9	53110-KEV-900	WEIGHT ASSY., HANDLE	2	
		10	53120-KEV-880	HOLDER COMP., HANDLE	1	
		11	53125-GN5-960	COLLAR, HANDLE SETTING	1	
		11	53205-KEV-880	COVER, HANDLE FR.	1	
		⑫	53205-KEV-650FMB	COVER, HANDLE FR.*NH-1* BLACK	1	SUPRA DISK BRAKE
			53205-KEV-650FMJ	COVER, HANDLE FR.*R201* MAGNA RED	1	SUPRA DISK BRAKE
		13	53206-KEV-880ZA	COVER, HANDLE RR.*NH-158R* BLACK	1	
		14	53208-KAN-850	RUBBER, HANDLE COVER	1	
		15	64521-MN5-000	NUT, CLIP, 4MM	2	

15.11.1998

F - 4 Steering handle/
Handle cover

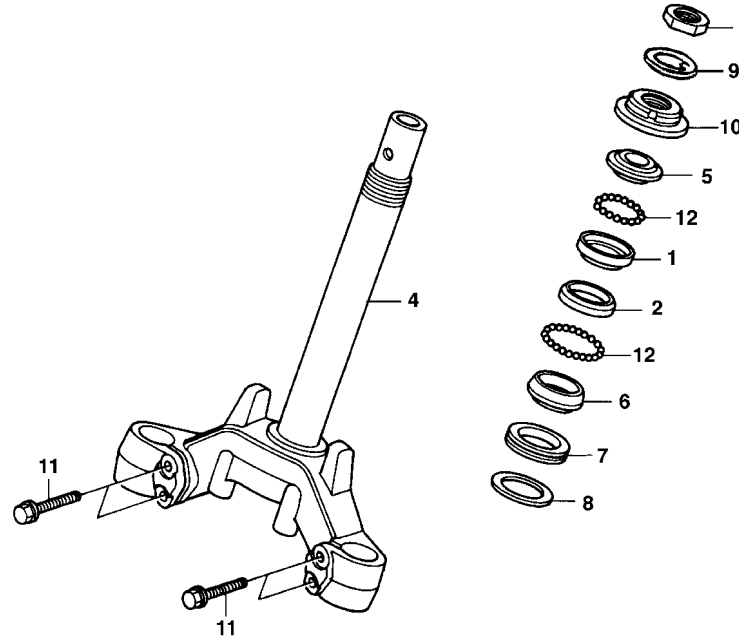


KEVJ

Service item	F.R.T.	No.	Part Number	Description	Q'ty	Notes
		16	90103-KAN-850	SCREW, 5x12	1	
		17	90106-GN5-900	BOLT, FLANGE, 10x50	1	
		18	90126-MJ4-700	SCREW, STEERING HANDLE WEIGHT	2	
		19	90304-GE8-003	NUT, FLANGE, 10MM	1	
		20	92101-08025-0H	BOLT, HEX., 8x25	3	
		21	93891-04016-07	SCREW-WASHER, 4x16	2	
		22	93903-34380	SCREW, TAPPING, 4x12	4	

F - 5

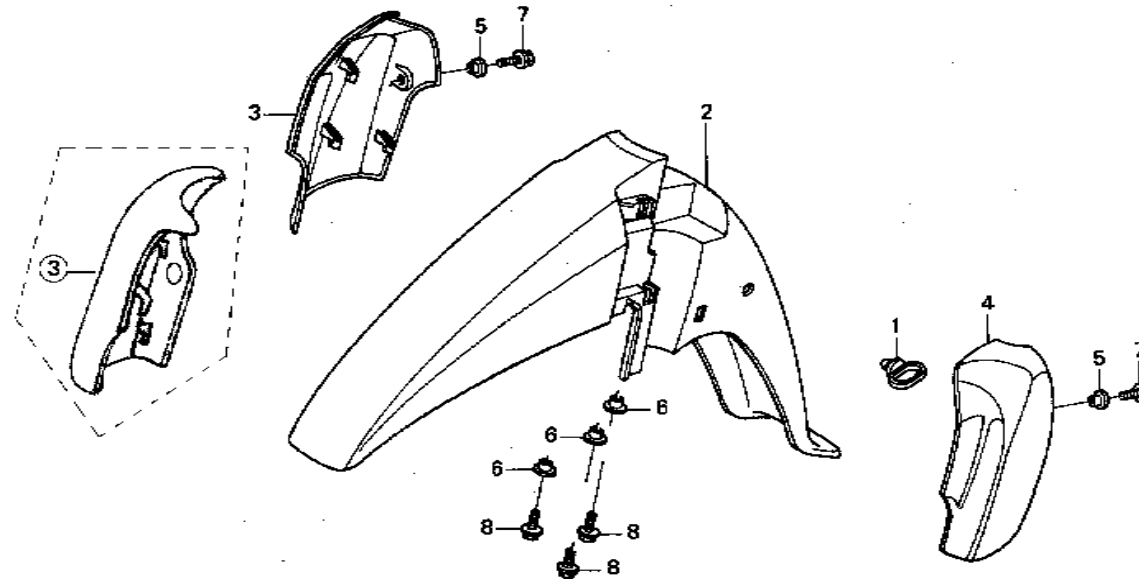
Steering stem



KEVF - NF100

Service item	F.R.T.	No.	Part Number	Description	Q'ty	Notes
RACE, STEERING BALL.....1.1 (SATU ATAU SEMUANYA)		1	50301-GN5-901	RACE, STEERING TOP BALL	1	
. RACE, STEERING BOTTOM CONE		2	50302-GN5-900	RACE, STEERING BOTTOM BALL	1	
RACE, STEERING TOP CONE.....0.5		3	50306-GN5-900	NUT, STEERING STEM LOCK	1	
. THREAD COMP., STEERING HEAD TOP		4	53200-KEV-880	STEM COMP., STEERING	1	
STEM COMP., STEERING.....1.0		5	53211-GN5-900	RACE, STEERING TOP CONE	1	
		6	53212-GN5-900	RACE, STEERING BOTTOM CONE	1	
		7	53214-GN5-900	DUST SEAL, STEERING HEAD	1	
		8	53215-GN5-900	WASHER, STEERING HEAD DUST SEAL	1	
		9	53216-GN5-830	WASHER, STEM NUT	1	
		10	53220-GN5-900	THREAD COMP., STEERING HEAD TOP	1	
		11	95801-10045-00	BOLT, FLANGE, 10x45	4	
		12	96211-06000	BALL, STEEL, NO.6 (UP=23, LOW=29)	52	

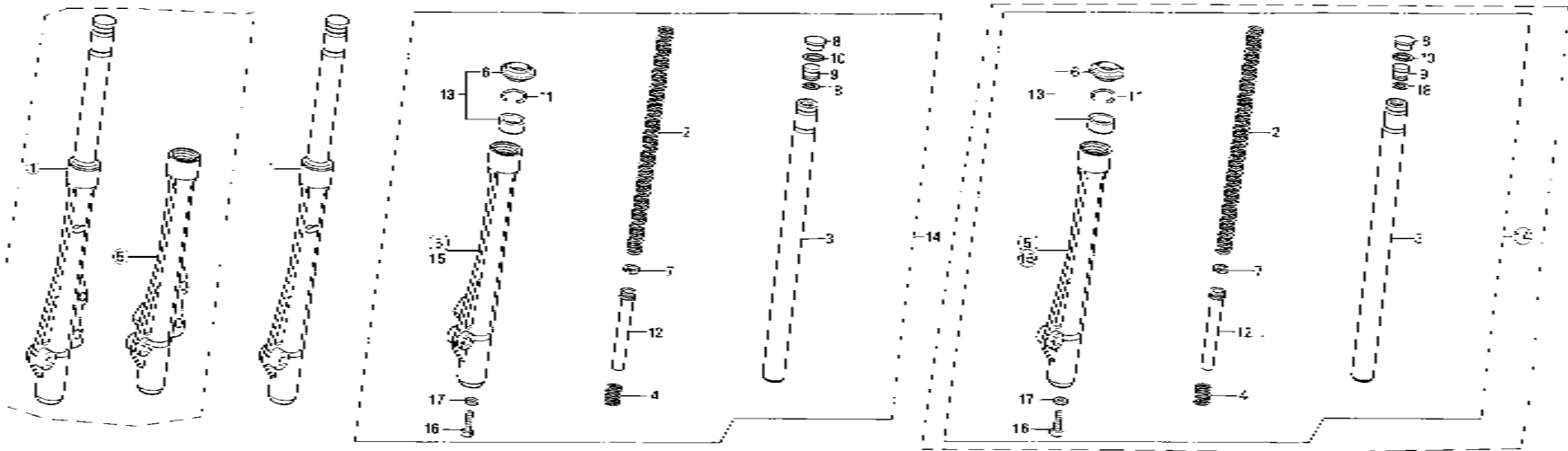
F - 6 Front fender



KEVJ

Service item	F.R.T.	No.	Part Number	Description	Q'ty	Notes
		1	45451-GN5-730	GROMMET, WIRE	1	
		2	61100-KEV-650FMB	FENDER, FR.*NH-1* BLACK	1	SUPRA/SUPRA DISK BRAKE
			61100-KEV-650FMJ	FENDER, FR.*R201* MAGNA RED	1	SUPRA DISK BRAKE
		3	61200-KEV-650FMB	COVER R. FR. FORK*NH-1* BLACK	1	SUPRA/SUPRA DISK BRAKE
		③	61200-KEV-650FMB	COVER R. FR. FORK*NH-1* BLACK	1	SUPRA DISK BRAKE
			61200-KEV-650FMJ	COVER R. FR. FORK*R201* MAGNA RED	1	SUPRA DISK BRAKE
		4	61400-KEV-880FMB	COVER L. FR. FORK*NH-1* BLACK	1	SUPRA/SUPRA DISK BRAKE
			61400-KEV-880FMJ	COVER L. FR. FORK*R201* MAGNA RED	1	SUPRA DISK BRAKE
		5	81312-KW7-900	COLLAR, FR. FENDER	2	
		6	90503-KEV-880	COLLAR, FR. FENDER	3	
		7	96001-06014-00	BOLT, FLANGE, 6x14	2	
		8	96001-06016-00	BOLT, FLANGE, 6x16	3	

F - 7 Front fork

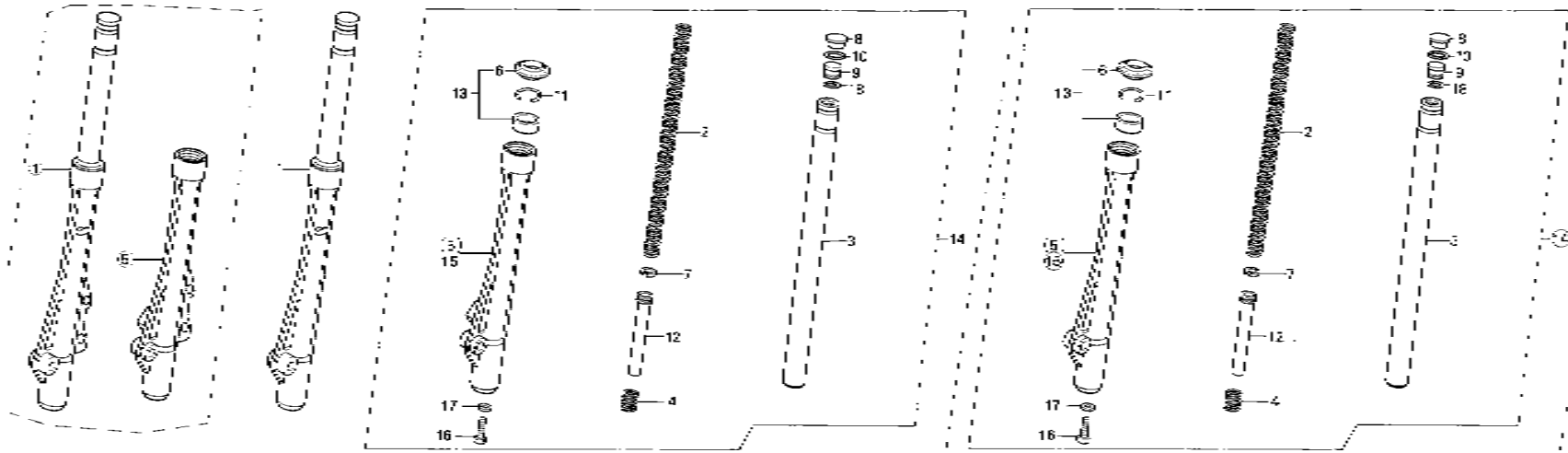


KEVJ

Service item	F.R.T.	No.	Part Number	Description	Q'ty	Notes
		1	51400-KEV-880	FORK ASSY., R. FR.	1	
		①	51400-KEV-650	FORK ASSY., R. FR.	1	SUPRA DISK BRAKE
		2	51401-KEV-880	SPRING, FR. FORK	2	
		3	51410-KEV-880	PIPE COMP., FR. FORK	2	
		4	51412-GBG-B10	SPRING, REBOUND	2	
		5	51420-KEV-880	CASE, R. BOTTOM	1	
		⑤	51420-KEV-650	CASE, R. BOTTOM	1	SUPRA DISK BRAKE
		6	51425-GBG-B10	DUST SEAL	2	
		7	51437-GBG-B10	RING, PISTON	2	
		8	51449-KEV-880	CAP, FORK PIPE	2	
		9	51454-KEV-880	SEAT, SPRING UPPER	2	
		10	51456-KEV-880	RING, STOPPER	2	
		11	51466-GBG-B10	RING, OIL SEAL STOPPER	2	
		12	51470-KEV-880	PIPE, SEAT	2	
		13	51490-GN5-305	SEAL SET, FR. FORK	2	
		14	51500-KEV-880	FORK ASSY., L. FR.	1	
		⑭	51500-KEV-650	FORK ASSY., L. FR.	1	SUPRA DISK BRAKE
		15	51520-KEV-880	CASE, L. BOTTOM	1	
		⑮	51520-KEV-650	CASE, L. BOTTOM	1	SUPRA DISK BRAKE

15.11.1998

F - 7 Front fork



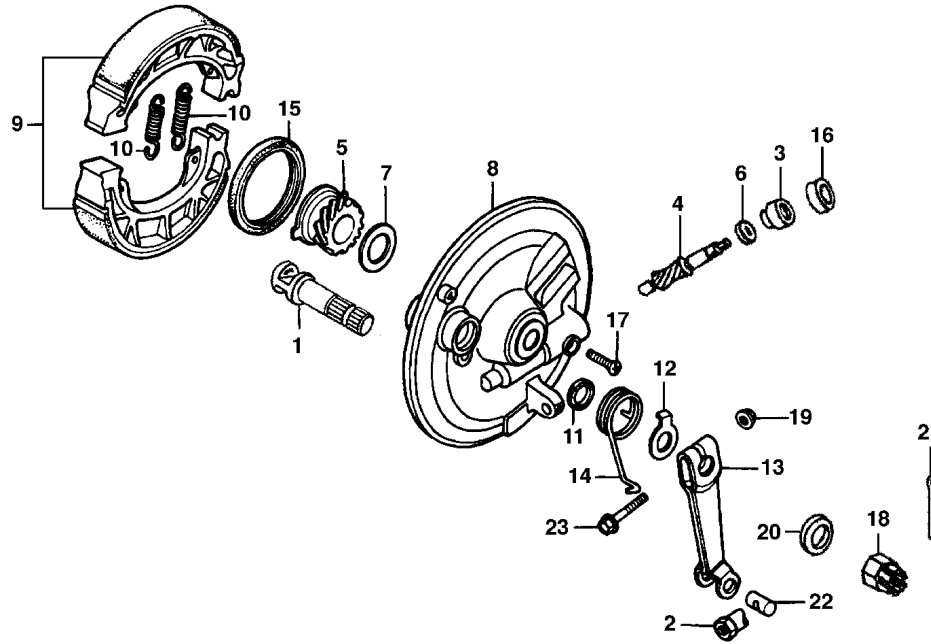
KEVJ

Service item	F.R.T.	No.	Part Number	Description	Q'ty	Notes
		16	90116-KCS-690	BOLT, SOCKET, 8MM	2	
		17	90544-KCS-690	WASHER, SPECIAL, 8MM	2	
		18	91356-KEV-880	O-RING	2	

15.11.1998

F - 8

Front brake panel



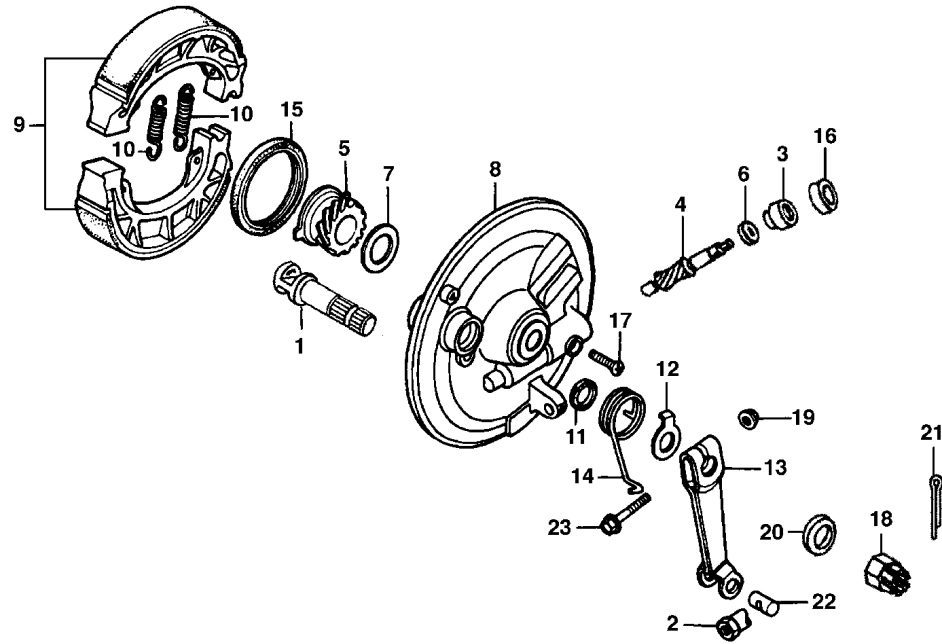
KEVF - NF100

3

Service item	F.R.T.	No.	Part Number	Description	Q'ty	Notes
SHOE SET, BRAKE.....	0.3	1	43141-400-010	CAM, RR. BRAKE	1	
. GEAR, SPEEDOMETER		2	43459-GN5-760	NUT, BRAKE ROD ADJUSTING	1	
PANEL COMP., FR. BRAKE.....	0.4	3	44803-KCS-920	BUSH, PINION	1	
(TERMASUK PART YANG BERHUBUNGAN)		4	44805-KEV-900	PINION, SPEEDOMETER	1	
ARM, FR. BRAKE.....	0.1	5	44806-KEV-880	GEAR, SPEEDOMETER	1	
(TERMASUK PART YANG BERHUBUNGAN)		6	44807-GW3-980	WASHER, GEAR BOX PINION	1	
		7	44809-GW3-980	WASHER, SPEEDOMETER GEAR	1	
		8	45100-GN5-830FMS	PANEL COMP., FR. BRAKE *NH-255M*	1	
		9	45120-001-010	SHOE SET, BRAKE	1	
		10	45133-028-000	SPRING, BRAKE SHOE	2	
		11	45134-250-000	DUST SEAL, BRAKE CAM	1	
		12	45145-121-710	INDICATOR, FR. BRAKE	1	
		13	45410-GN5-900	ARM, FR. BRAKE	1	
		14	45435-121-010	SPRING, FR. BRAKE ARM RETURN	1	
		15	91251-GN5-901	OIL SEAL, 47x57x7	1	
		16	91256-KCS-690	OIL SEAL, 4.8x14.5x4	1	
		17	93700-05020-0A	SCREW, OVAL 5x20	1	
		18	94011-12000-0S	NUT, CASTLE, 12MM	1	
		19	94050-06000	NUT, FLANGE, 6MM	1	
		20	94101-12000	WASHER, PLAIN, 12MM	1	

F - 8

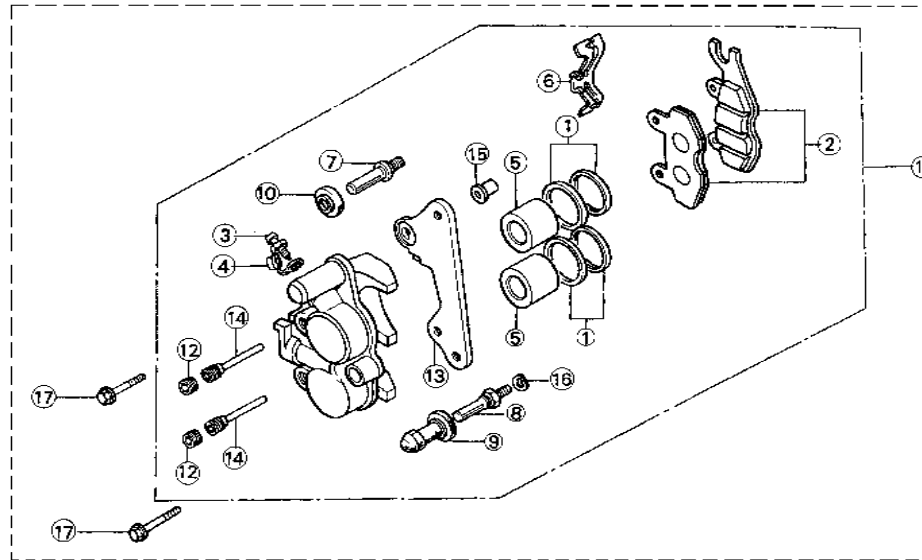
Front brake panel



KEVF - NF100

No.	Part Number	Description	Q'ty	Notes
21	94201-30250	PIN, SPLIT, 3.0x25	1	
22	95015-53000	PIN C, JOINT	1	
23	95701-06028-00	BOLT, FLANGE, 6x28	1	

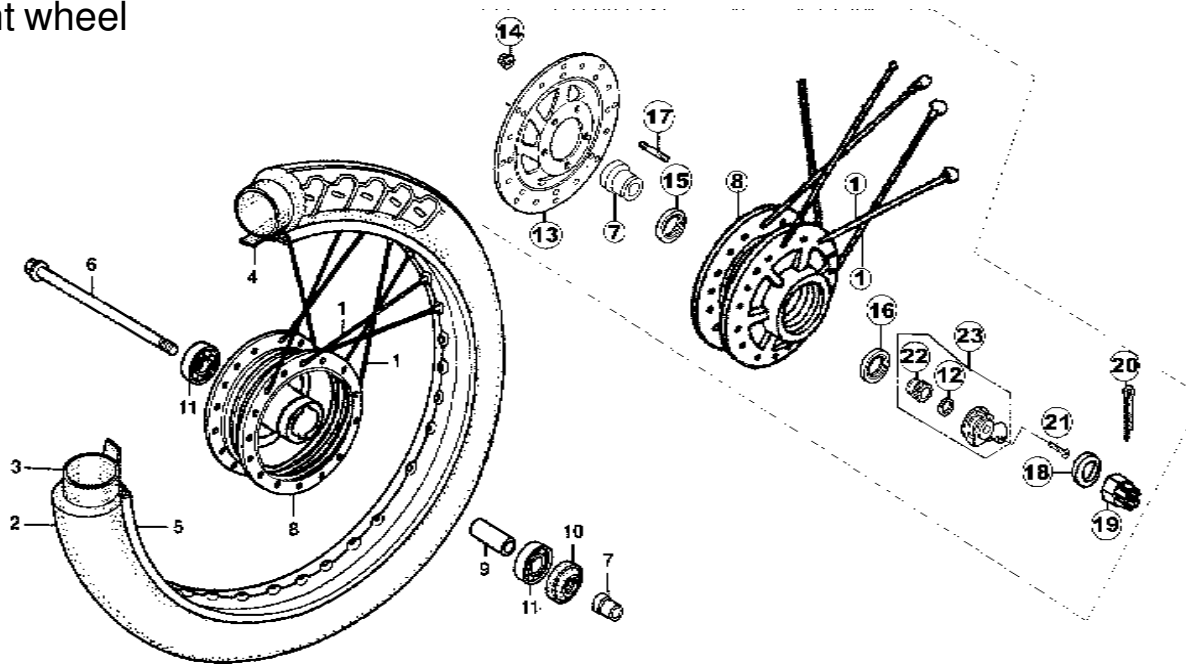
F - 8 Front brake caliper



KEVJ

Service item	F.R.T.	No.	Part Number	Description	Q'ty	Notes
		①	06451-KEV-650	SEAL SET PISTON	2	SUPRA DISK BRAKE
		②	06455-KEV-650	PAD SET, FR.	1	SUPRA DISK BRAKE
		③	43352-KBP-930	SCREW BLEEDER	1	SUPRA DISK BRAKE
		④	43353-KBP-930	CAP, BLEEDER	1	SUPRA DISK BRAKE
		⑤	45107-KBP-930	PISTON	2	SUPRA DISK BRAKE
		⑥	45108-KBP-930	PAD, SPRING	1	SUPRA DISK BRAKE
		⑦	45131-KBP-930	PIN A, BOLT	1	SUPRA DISK BRAKE
		⑧	45131-KBA-930	PIN, BOLT	1	SUPRA DISK BRAKE
		⑨	45132-KBP-930	BUSH, PIN	1	SUPRA DISK BRAKE
		⑩	45133-KBP-930	BOOT B	1	SUPRA DISK BRAKE
		⑪	45200-KEV-650	CALIPER ASSY., R. FR	1	SUPRA DISK BRAKE
		⑫	45203-KBP-930	PLUG, PIN	1	SUPRA DISK BRAKE
		⑬	45210-KET-920	BRACKET FR	1	SUPRA DISK BRAKE
		⑭	45215-KBP-930	PIN, HANGER	2	SUPRA DISK BRAKE
		⑮	45216-KBP-901	NUT, TORQUE	1	SUPRA DISK BRAKE
		⑯	45216-KBP-930	WASHER, WAVE	1	SUPRA DISK BRAKE
		⑰	90131-GAA-000	BOLT, FLANGE, 8x25	2	SUPRA DISK BRAKE

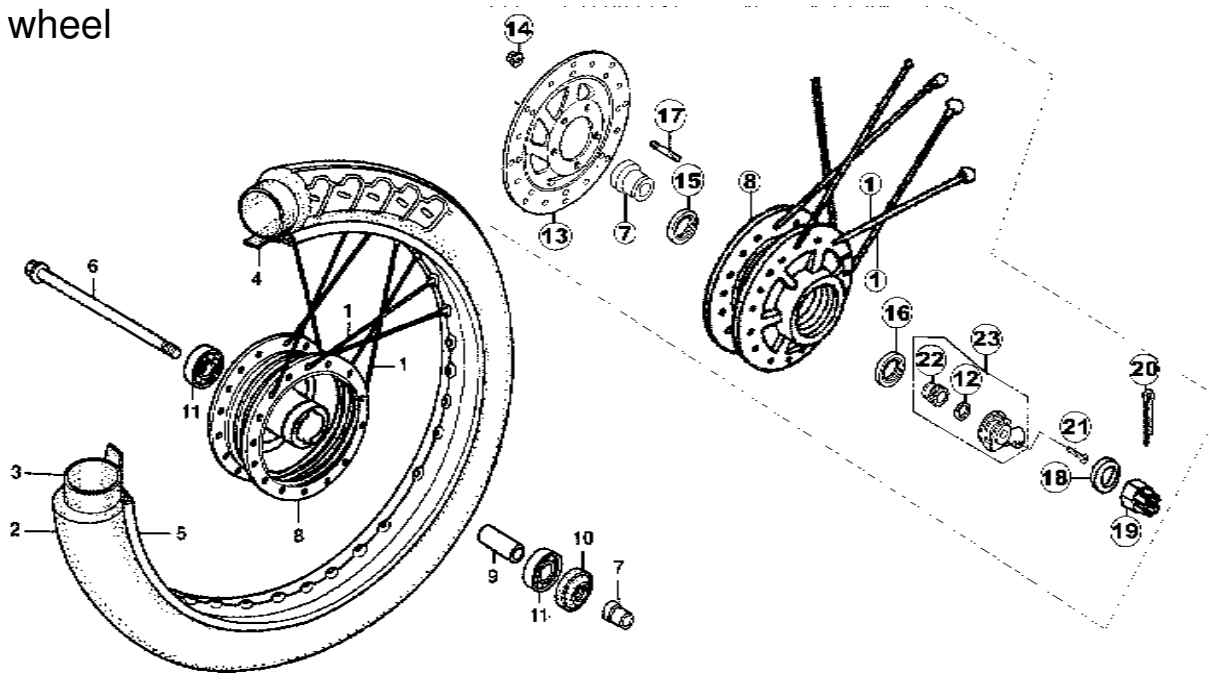
F - 9 Front wheel



KEVJ

Service item	F.R.T.	No.	Part Number	Description	Q'ty	Notes
		1	11-160	SPOKE SET	36	
		①	11-183	SPOKE SET	36	SUPRA DISK BRAKE
		2	25017-FF135	TIRE, FR. WHEEL (2.50 - 17)	1	
		3	25017-00000	TUBE TIRE	1	
		4		FLAP, TIRE (17)	1	
		5	42701-030-007	RIM, FR. WHEEL	1	
		6	44301-KEV-880	AXLE, FR. WHEEL	1	
		7	44311-GN5-900	COLLAR, FR. WHEEL SIDE	1	
		⑦	44311-KEV-650	COLLAR, FR. WHEEL SIDE	1	SUPRA DISK BRAKE
		8	44601-GN5-830FMS	HUB, FR, WHEEL	1	
		⑧	44601-KEV-650FMS	HUB, FR. WHEEL	1	SUPRA DISK BRAKE
		9	44620-400-000	COLLAR, FR. AXLE DISTANCE	1	
		10	90755-KCS-920	OIL SEAL, 21x37x7	1	
		11	FMB 6301	BEARING, RADIAL BALL	2	
		⑫	44680-410-000	RETAINER, GEAR BOX	1	SUPRA DISK BRAKE
		⑬	45251-KEV-650	DISK, FR BRAKE	1	SUPRA DISK BRAKE
		⑭	90301-473-003	NUT, U, 6 MM	5	SUPRA DISK BRAKE
		⑮	91252-030-003	OIL SEAL, 23x37x7	18	SUPRA DISK BRAKE

F - 9 Front wheel

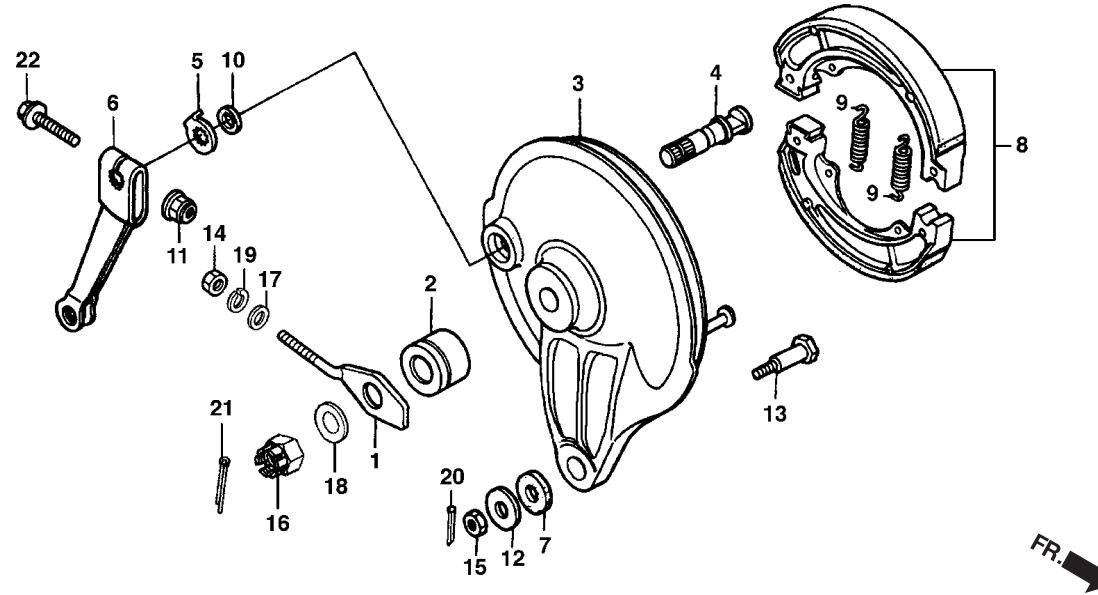


KEVJ

Service item	F.R.T.	No.	Part Number	Description	Q'ty	Notes
		16	91258-410-013	DUST SEAL, 40x50x5	1	SUPRA DISK BRAKE
		17	92911-06018-0E	BOLT, STUD, 6x18	5	SUPRA DISK BRAKE
		18	94101-12000	WASHER, PLAIN, 12 MM	1	SUPRA DISK BRAKE
		19	94011-12000-0S	NUT CASTEL, 12MM	1	SUPRA DISK BRAKE
		20	94201-30250	PIN, SPLIT, 3.0x2.5	1	SUPRA DISK BRAKE
		21	93700-05016-0A	SCREW OVAL 5x16	1	SUPRA DISK BRAKE
		22	44806-KEV-650	GEAR, SPEEDOMETER	1	SUPRA DISK BRAKE
		23	44800-KEV-650	GEAR BOX ASSY SPEEDOMETER	1	SUPRA DISK BRAKE

F - 10

Rear brake panel



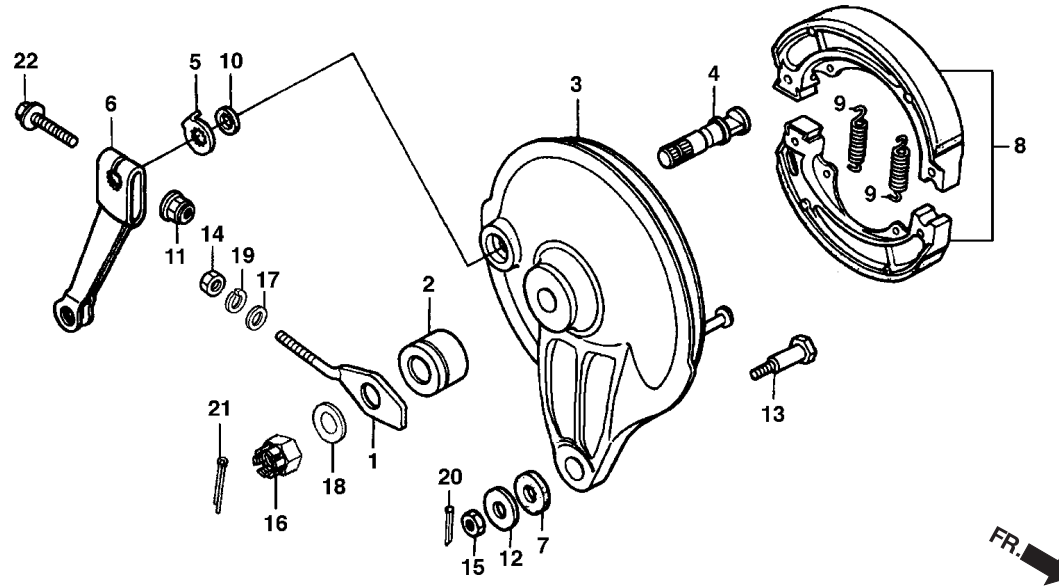
KEVF - NF100

Service item	F.R.T.	No.	Part Number	Description	Q'ty	Notes
SHOE SET, BRAKE.....	0.4	1	40541-GN5-730	ADJUSTER, R. CHAIN	1	
PANEL COMP., RR. BRAKE.....	0.5	2	42313-GN5-830	COLLAR, RR. BRAKE PANEL SIDE	1	
(TERMASUK PART YANG BERHUBUNGAN)		3	43100-GN5-830FMS	PANEL COMP., RR. BRAKE *NH-255M*	1	
ARM, RR. BRAKE.....	0.1	4	43141-400-010	CAM, RR. BRAKE	1	
		5	43145-GC5-000	INDICATOR, RR. BRAKE	1	
		6	43410-149-000	ARM, RR. BRAKE	1	
		7	43434-ME1-670	RUBBER, STOPPER ARM.....	1	
		8	45120-001-010	SHOE SET, BRAKE	1	
		9	45133-028-000	SPRING, BRAKE SHOE	2	
		10	45134-250-000	DUST SEAL, BRAKE CAM	1	
		11	90301-473-003	NUT, U, 6MM	1	
		12	90505-425-000	WASHER, 8MM	1	
		13	92811-10000	BOLT A, BRAKE STOPPER	1	
		14	94001-06000-0S	NUT, HEX., 6MM	1	
		15	94001-08000-0S	NUT, HEX., 8MM	1	
		16	94011-12000-0S	NUT, CASTLE, 12MM.....	1	
		17	94101-06000	WASHER, PLAIN, 6MM.....	1	
		18	94102-12000	WASHER, PLAIN, 12MM.....	1	
		19	94111-06000	WASHER, SPRING, 6MM	1	
		20	94201-20150	PIN, SPLIT, 2.0x15	1	

15.07.1997

F - 10

Rear brake panel



KEVF - NF100

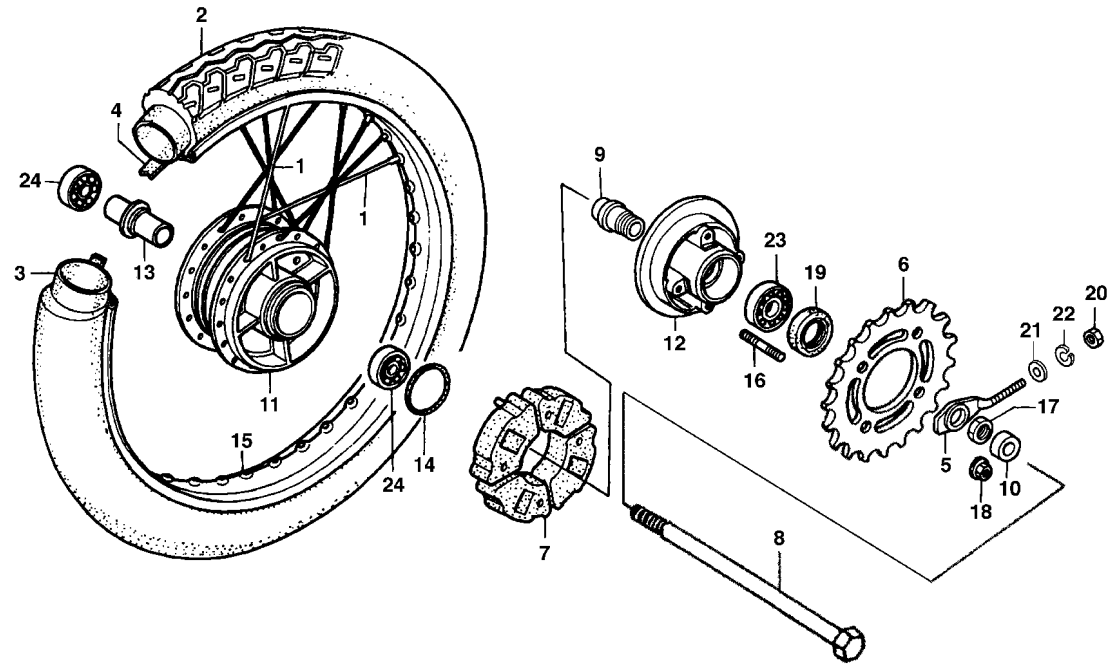
3

No.	Part Number	Description	Q'ty	Notes
-----	-------------	-------------	------	-------

21	94201-30250	PIN, SPLIT, 3.0x25	1	
22	95701-06035-00	BOLT, FLANGE, 6x35	1	

F - 11

Rear wheel



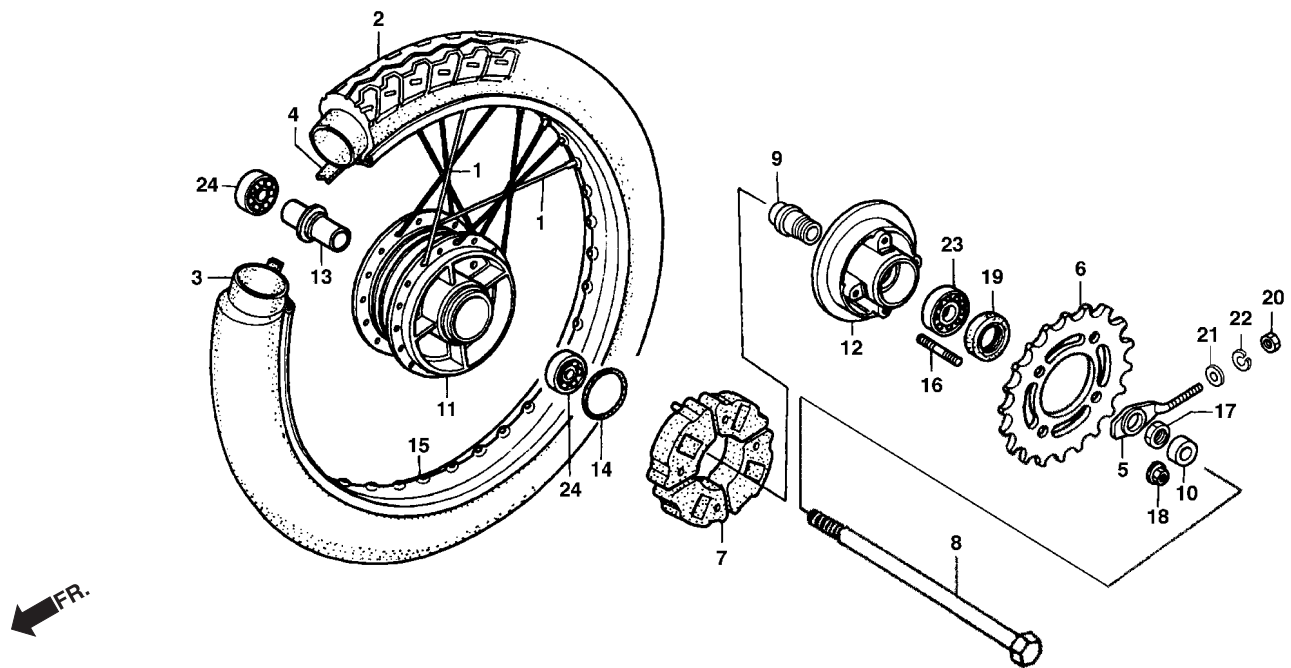
KEVF - NF100

Service item	F.R.T.	No.	Part Number	Description	Q'ty	Notes
DAMPER RR., WHEEL.....	0.3	1	10 - 159	SPOKE SET 22517	1*	* 1 set = 18 pcs INSIDE SPOKES + 18 pcs OUTSIDE SPOKES
AXLE, RR. WHEEL.....	0.2	2	27517-FR135	TIRE, RR. WHEEL (2.75 - 17)	1	
SPROCKET, FINAL DRIVEN.....	0.6	3	27517-00000	TUBE, TIRE	1	
. BEARING, RADIAL BALL, 6203		4		FLAP, TIRE (17).....	1	
SLEEVE, RR. WHEEL.....	0.4	5	40540-GN5-730	ADJUSTER, L. CHAIN	1	
. COLLAR, RR. AXLE DISTANCE		6	41201-KEV-880	SPROCKET, FINAL DRIVEN (40T)	1	
. BEARING, RADIAL BALL, 6301 (TAMBAHKAN 0.1 UNTUK MASING-MASING)		7	41241-GB4-770	DAMPER RR., WHEEL	1	
FLANGE ASSY., FINAL DRIVEN.....	1.0	8	42301-GN5-830	AXLE, RR. WHEEL.....	1	
. TIRE, RR.		9	42303-GN5-830	SLEEVE, RR. WHEEL	1	
. TUBE, TIRE		10	42304-GN5-900	COLLAR, RR. WHEEL SIDE	1	
HUB , RR. WHEEL.....	2.6	11	42601-GN5-960FMS	HUB, RR. WHEEL *NH-255M* SILVER MET ...	1	
RIM, RR. WHEEL.....	2.3	12	42610-KEV-880	FLANGE ASSY., FINAL DRIVEN	1	
		13	42620-GB6-920	COLLAR, RR. AXLE DISTANCE	1	
		14	42653-KEV-900	O-RING, 40.5x3 (DUST KEEPER)	1	
		15	42701-383-701	RIM, RR. WHEEL	1	
		16	90128-GS4-000	BOLT, STUD, 8x43	4	
		17	90307-001-000	NUT, RR. AXLE SLEEVE	1	
		18	90309-357-000	NUT, HEX., 8MM	4	
		19	91252-KEV-900	OIL SEAL, 27x40x6	1	
		20	94001-06000-0S	NUT, HEX., 6MM	1	

15.07.1997

F - 11

Rear wheel



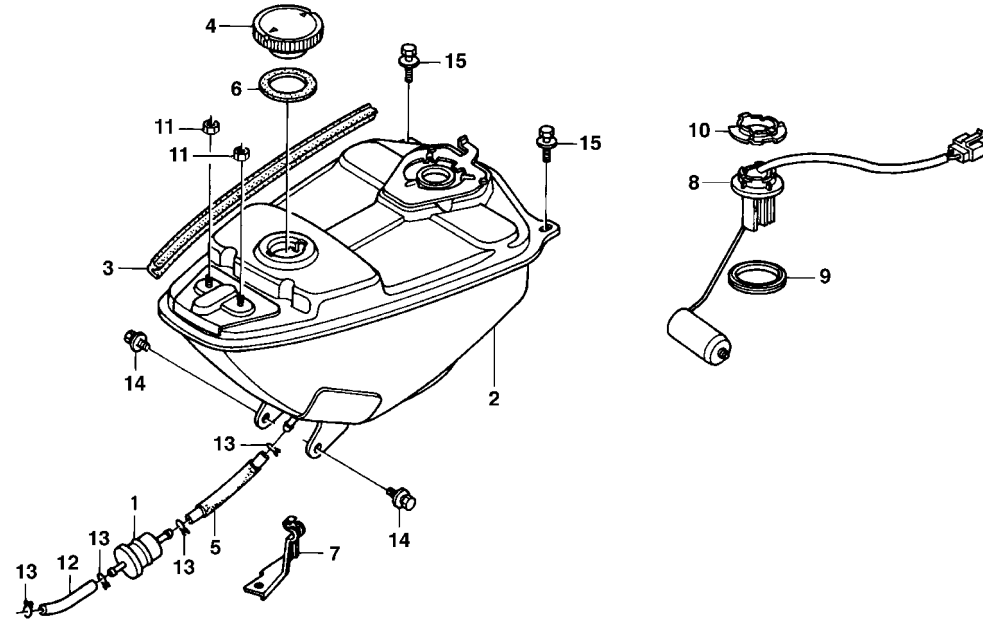
KEVF - NF100

3

No.	Part Number	Description	Q'ty	Notes
21	94101-06000	WASHER, PLAIN, 6MM	1	
22	94111-06000	WASHER, SPRING, 6MM	1	
23	FMB 6203	BEARING, RADIAL BALL, 6203	1	
24	FMB 6301	BEARING, RADIAL BALL, 6301	2	

F - 12

Fuel tank



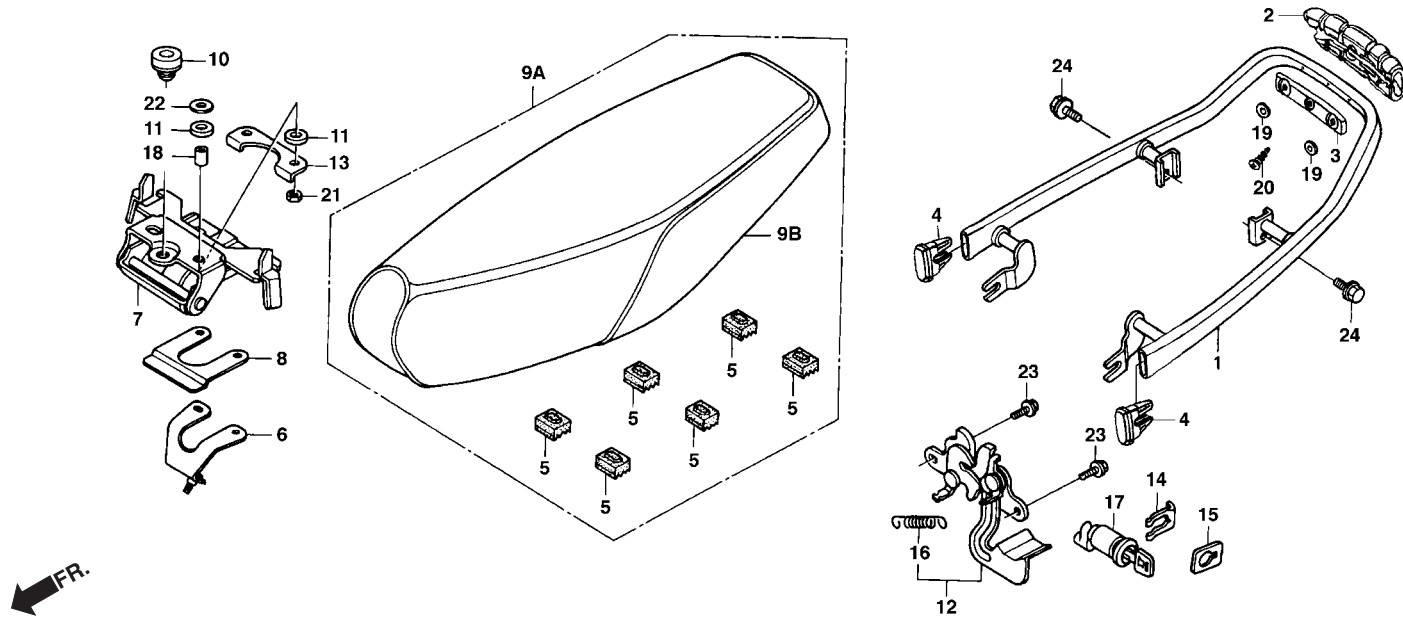
KEVF - NF100

Service item	F.R.T.	No.	Part Number	Description	Q'ty	Notes
STRAINER COMP., FUEL.....	0.1	1	16910-GAH-690	STRAINER COMP., FUEL	1	
TANK COMP., FUEL.....	0.5	2	17510-KEV-880	TANK COMP, FUEL	1	
FUEL UNIT.....	0.3	3	17515-KEV-900	RUBBER, FUEL TANK SIDE	1	
		4	17620-GA7-023	CAP, FUEL FILLER	1	
		5	17630-KEV-880	TUBE, FUEL, 5.3x440	1	
		6	17631-096-701	PACKING, FUEL FILLER CAP	1	
		7	17640-GN5-910	CLAMPER, FUEL TUBE	1	
		8	37800-KEV-920	FUEL UNIT	1	
		9	37801-GA7-700	PACKING, BASE	1	
		10	37802-GA7-700	RETAINER, FUEL UNIT	1	
		11	94001-06000-0S	NUT, HEX., 6MM	2	
		12	95001-55060-40	TUBE, FUEL, 5.3x60	1	
		13	95002-02100	CLIP, TUBE (B10)	4	
		14	95701-06012-00	BOLT, FLANGE, 6x12	2	
		15	95701-08016-00	BOLT, FLANGE, 8x16	2	

15.07.1997

F - 13

Seat



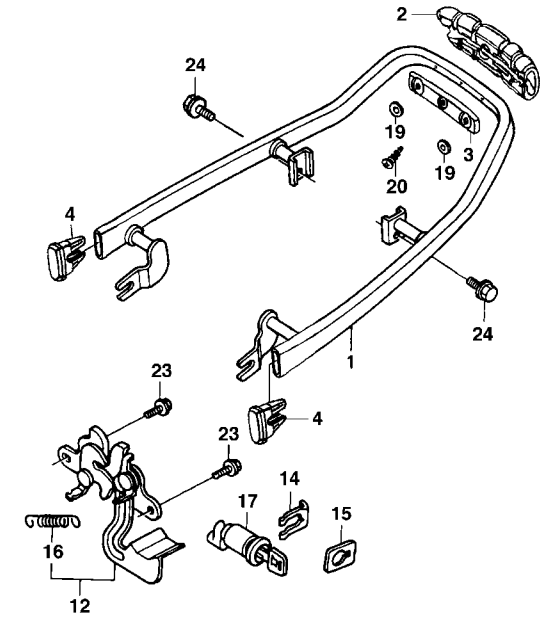
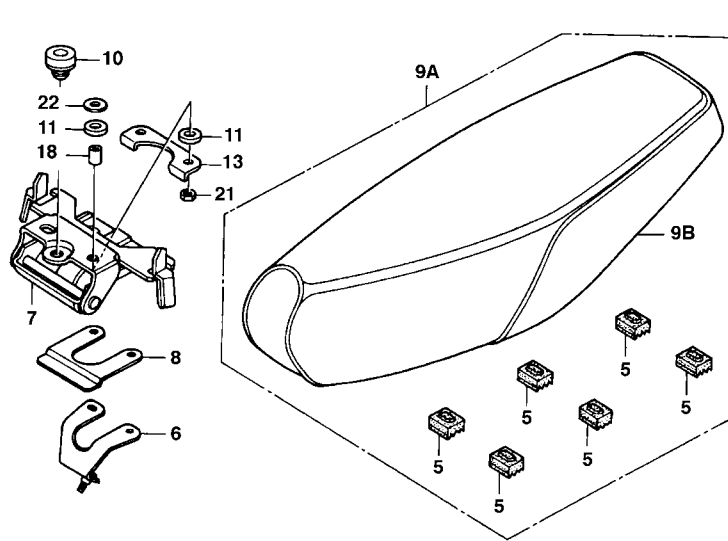
KEVF - NF100

3

Service item	F.R.T.	No.	Part Number	Description	Q'ty	Notes
PIPE, RR. GRIP.....	0.1	1	50410-KEV-880	PIPE, RR. GRIP	1	
HINGE COMP., SEAT		2	50412-GN5-900	RUBBER, REAR GRIP	1	
SEAT COMP., DOUBLE		3	50414-GN5-900	SET PIECE, REAR GRIP	1	
KEY, SEAT LOCK		4	50415-GN5-F00	CAP, REAR GRIP PIPE END	2	
SEAT LOCK COMP.....	0.3	5	50524-KEV-900	RUBBER, MAIN STAND STOPPER	6	
		6	64350-KEV-900	STAY, BODY COVER	1	
		7	77110-KEV-900	HINGE COMP., SEAT	1	
		8	77120-KEV-900	PLATE, SEAT HINGE SETTING	1	
		9A	77200-KEV-880	SEAT COMP., DOUBLE	1	
		9B	772A0-KEV-880	COVER, SEAT (KULIT SAJA)	1	
		10	77206-KW6-900	RUBBER, SEAT CUSHION	1	
		11	77207-GN5-910	RUBBER B, SEAT MOUNTING	4	
		12	77230-KEV-900	SEAT LOCK COMP.	1	
		13	77235-KEV-900	PLATE, SEAT HINGE	1	
		14	77235-469-000	SPRING, LOCK KEY SETTING	1	
		15	77236-GWO-000	WASHER, SEAT LOCK	2	
		16	77237-KEV-900	SPRING, SEAT CATCH	1	
		17	77239-GB2-721	KEY, SEAT LOCK	1	
		18	90324-GN5-730	COLLAR, SEAT MOUNTING	2	
		19	90507-GN5-900	WASHER, 3.5x13	2	
		20	93903-22280	SCREW, TAPPING, 3x10	3	

F - 13

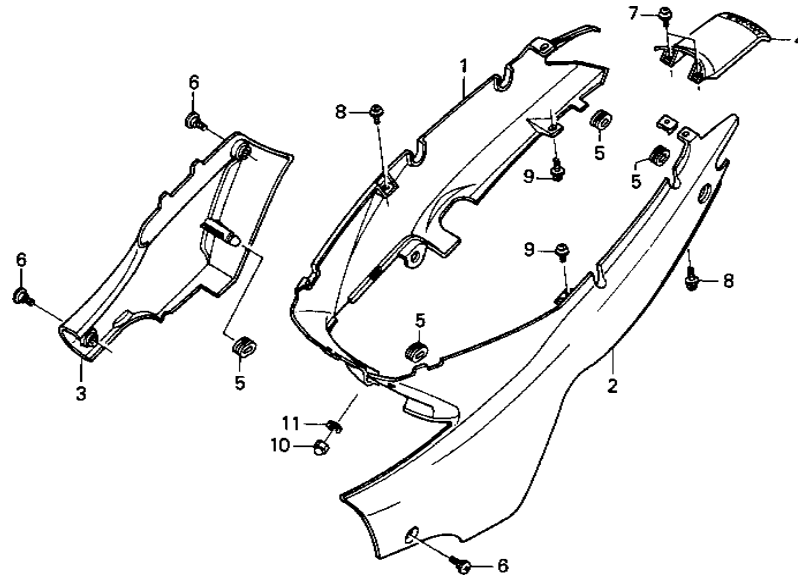
Seat



KEVF - NF100

No.	Part Number	Description	Q'ty	Notes
21	94001-06000-0S	NUT, HEX., 6MM	2	
22	94103-06000	WASHER, PLAIN, 6MM	2	
23	95701-06012-00	BOLT, FLANGE, 6x12	2	
24	95701-08014-00	BOLT, FLANGE, 8x14	2	

F - 14 Side cover

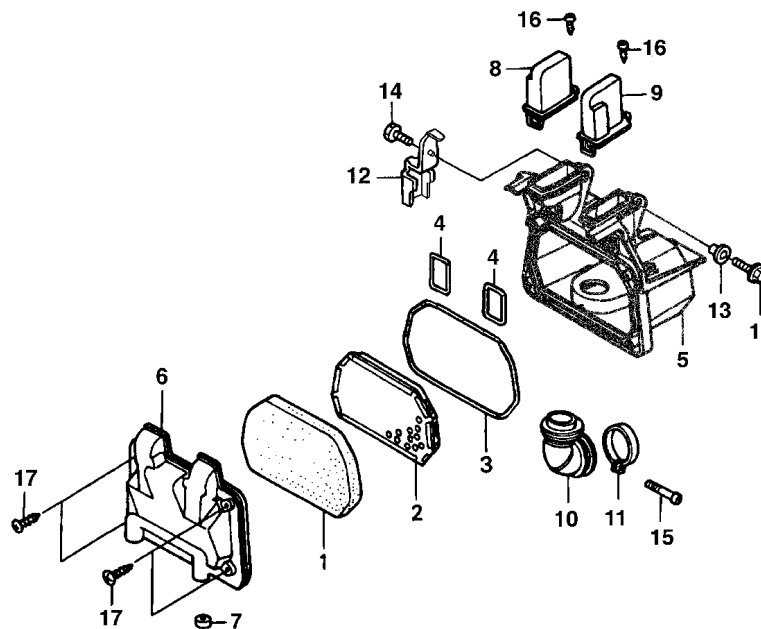


KEVJ

Service item	F.R.T.	No.	Part Number	Description	Q'ty	Notes
		1	64330-KEV-880FMB	COVER, R. BODY*NH-1 * BLACK	1	SUPRA/SUPRA DISK BRAKE
			64330-KEV-880FMJ	COVER, R. BODY*R201 * MAGNA RED	1	SUPRA DISK BRAKE
		2	64340-KEV-880FMB	COVER, L. BODY*NH-1 *BLACK	1	SUPRA/SUPRA DISK BRAKE
			64340-KEV-880FMJ	COVER, L. BODY*R201 * MAGNA RED	1	SUPRA DISK BRAKE
		3	83500-KEV-900FMB	COVER, R. SIDE*NH-1 * BLACK	1	SUPRA/SUPRA DISK BRAKE
			83500-KEV-900FMJ	COVER, R. SIDE*R201 * MAGNA RED	1	SUPRA DISK BRAKE
		4	83510-KEV-900FMB	COVER, TAIL*NH-1 * BLACK	1	SUPRA/SUPRA DISK BRAKE
			83510-KEV-900FMJ	COVER, TAIL*R201 * MAGNA RED	1	SUPRA DISK BRAKE
		5	83551-GE2-000	GROMMET, AIR CLEANER CASE	1	
		6	90107-KW7-900	BOLT, FAIRING SETTING	3	
		7	90380-GM9-740	SCREW, SPECIAL, 6x15	2	
		8	91509-GE2-760	SCREW, PAN, 5x11.5	2	
		9	93894-06-16-08	SCREW-WASHER, 6x16	2	
		10	94021-05020-0S	NUT, CAP, 5 MM	1	
		11	94103-05200	WASHER, PLAIN, 5 MM	1	

F - 15

Air cleaner



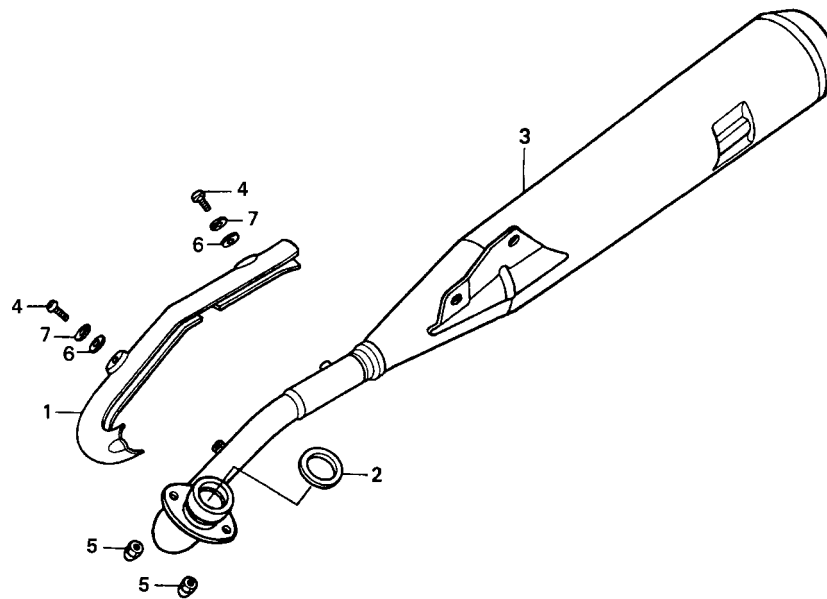
KEVF - NF100

3

Service item	F.R.T.	No.	Part Number	Description	Q'ty	Notes
ELEMENT, AIR CLEANER.....	0.3	1	17205-GN5-900	ELEMENT, AIR CLEANER	1	
. TUBE, AIR CLEANER CONNECTING		2	17212-GN5-900	TRAP COMP., FRAME	1	
CASE, AIR CLEANER.....	0.4	3	17213-GN5-900	SEAL, AIR CLEANER COVER	1	
COVER, AIR CLEANER CASE.....	0.2	4	17214-GN5-900	SEAL, AIR CLEANER CASE	2	
		5	17230-GN5-830	CASE, AIR CLEANER	1	
		6	17231-GN5-830	COVER, AIR CLEANER CASE	1	
		7	17232-GN5-830	PLUG, AIR CLEANER DRAIN	2	
		8	17233-GN5-900	CAP, R. DUCT	1	
		9	17234-GN5-900	CAP, L. DUCT	1	
		10	17253-GN5-900	TUBE, AIR CLEANER CONNECTING	1	
		11	17256-053-010	BAND B, AIR CLEANER CONNECTING TUBE ..	1	
		12	50154-KEV-900	GUIDE, AIR VENT TUBE	1	
		13	90522-028-000	WASHER, CHAIN CASE SET	1	
		14	92101-06012-0A	BOLT, HEX., 6x12	2	
		15	93500-05020-0A	SCREW, PAN, 5x20	1	
		16	93901-24310	SCREW, TAPPING, 4x12	2	
		17	93903-25310	SCREW, TAPPING, 5x16	4	

F - 16

Exhaust muffler



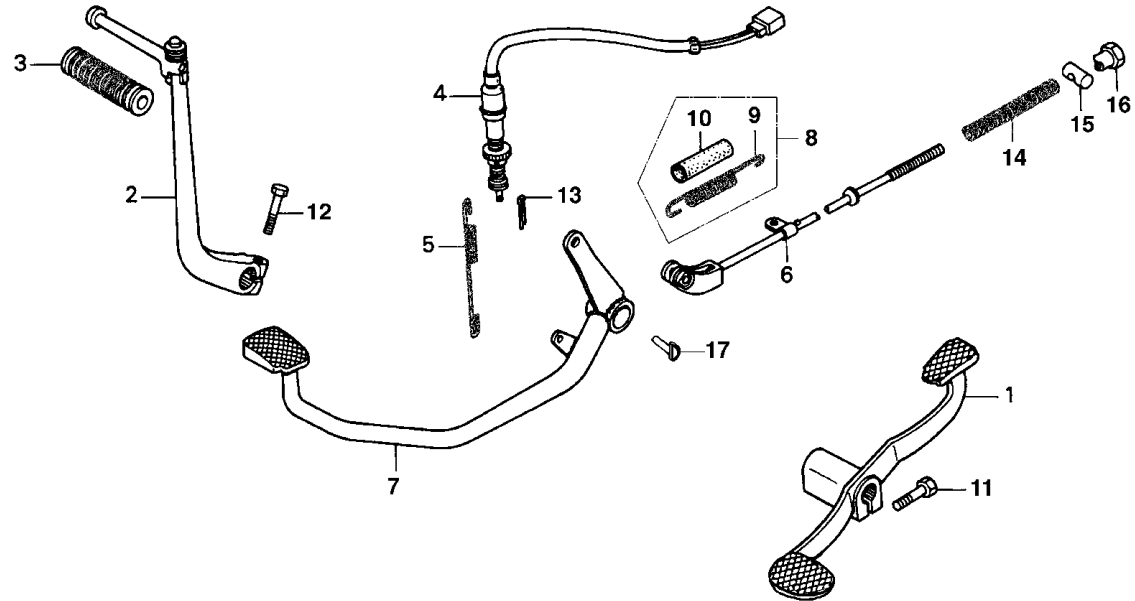
KEVF - NF100

Service item	F.R.T.	No.	Part Number	Description	Q'ty	Notes
COVER, EX. PIPE.....	0.1	1	18240-KEV-900	COVER, EX. PIPE	1	
MUFFLER COMP., EX.....	0.3	2	18291-HB2-900	GASKET, EX. PIPE	1	
		3	18350-KEV-880	MUFFLER COMP., EX.	1	
		4	93500-05008-4J	SCREW, PAN, 5x8	2	
		5	94001-06000-0S	NUT, HEX., 6MM	2	
		6	94101-05000	WASHER, PLAIN, 5MM	2	
		7	94111-05000	WASHER, SPRING, 5MM	2	

15.07.1997

F - 17

Pedal/Kick starter arm



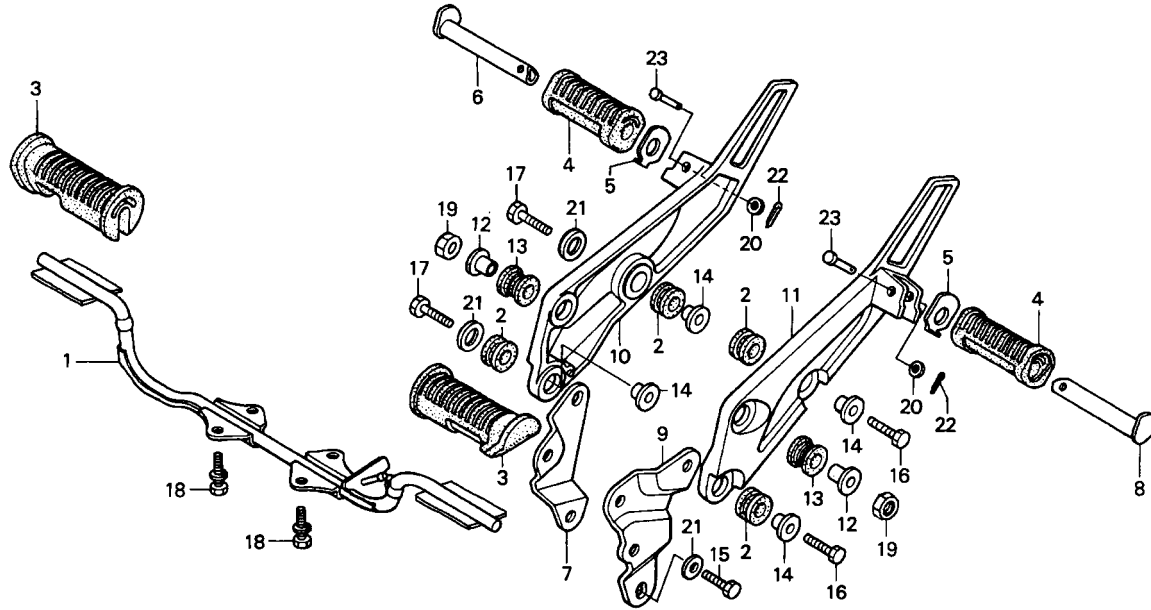
KEVF - NF100

3

Service item	F.R.T.	No.	Part Number	Description	Q'ty	Notes
PEDAL, GEAR CHANGE.....	0.1	1	24701-KEV-880	PEDAL, GEAR CHANGE	1	
ARM ASSY., KICK STARTER		2	28300-KEV-880	ARM ASSY., KICK STARTER.....	1	
SWITCH ASSY., RR. STOP.....	0.2	3	28311-342-000	RUBBER, KICK STARTER.....	1	
ROD COMP., RR. BRAKE.....	0.4	4	35350-KEV-950	SWITCH ASSY., RR. STOP	1	
PEDAL COMP., BRAKE.....	0.5	5	35357-011-000	SPRING, STOP SWITCH	1	
		6	43451-KEV-880	ROD COMP., RR. BRAKE	1	
		7	46500-KEV-880	PEDAL COMP., BRAKE	1	
		8	46513-KEV-880	SPRING ASSY., RR. BRAKE RETURN	1	
		9	46514-KEV-880	SPRING, BRAKE PEDAL	1	
		10	46514-MK4-000	TUBE, BRAKE PEDAL SPRING	1	
		11	92101-06020-0A	BOLT, HEX., 6x20	1	
		12	92101-06022-0A	BOLT, HEX., 6x22	1	
		13	94201-20150	PIN, SPLIT, 2.0x15	1	
		14	95014-73100	SPRING A, BRAKE ROD	1	
		15	95015-32001	JOINT B, BRAKE ARM	1	
		16	95015-42000	NUT, BRAKE ROD ADJUSTING	1	
		17	95015-53000	PIN C, JOINT	1	

F - 18

Step



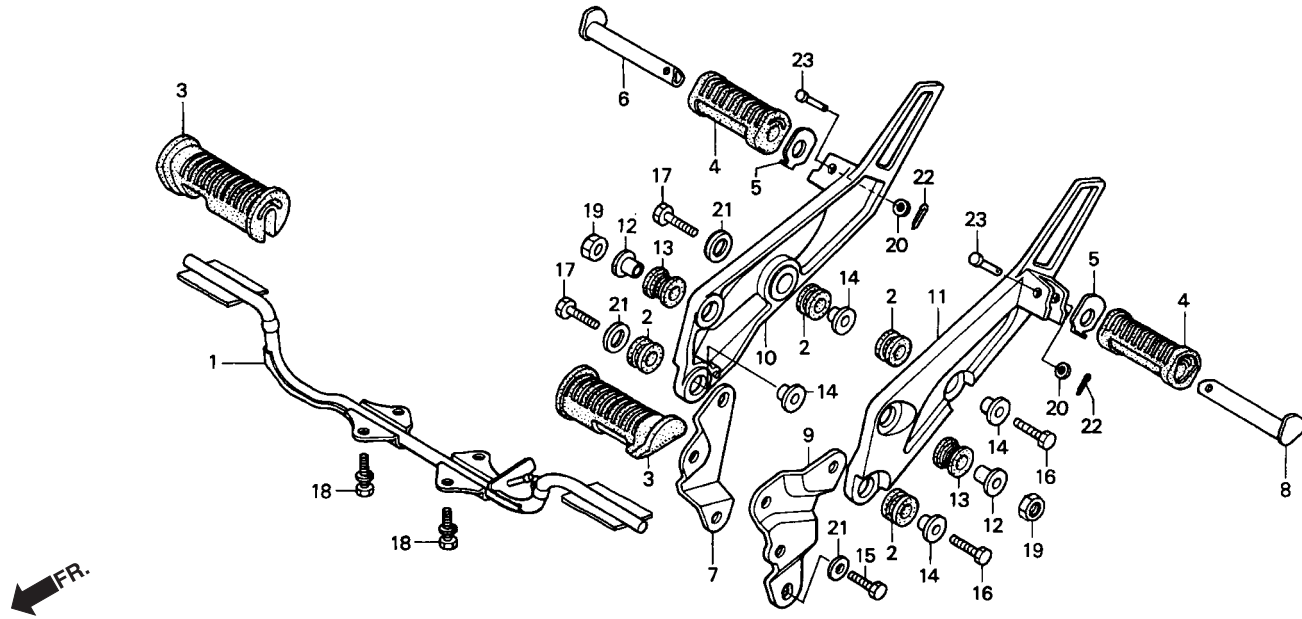
KEVF - NF100

Service item	F.R.T.	No.	Part Number	Description	Q'ty	Notes
BAR COMP., STEP.....	0.3	1	50610-KEV-880	BAR COMP., STEP	1	
RUBBER, STEP.....	0.1	2	50622-KBA-900	RUBBER, STEP HOLDER	4	
(SATU ATAU SEMUANYA)		3	50661-KEV-880	RUBBER, STEP	2	
. BAR, R. PILLION STEP		4	50710-GN5-830	RUBBER, PILLION STEP	2	
(TERMASUK PART YANG BERHUBUNGAN) .		5	50711-GN5-730	PLATE, PILLION STEP	2	
. BAR, L. PILLION STEP		6	50713-GN5-830	BAR, R. PILLION STEP	1	
(TERMASUK PART YANG BERHUBUNGAN)		7	50713-KEV-900	STAY, R . PILLION STEP	1	
BRACKET, R. PILLION STEP.....	0.2	8	50714-GN5-830	BAR, L. PILLION STEP	1	
. BRACKET, L. PILLION STEP		9	50714-KEV-900	STAY, L. PILLION STEP	1	
		10	50715-KEV-900	BRACKET, R. PILLION STEP	1	
		11	50716-KEV-900	BRACKET, L. PILLION STEP	1	
		12	90116-KEV-900	COLLAR, PILLION STEP MOUNTING	2	
		13	90117-KEV-900	RUBBER, PILLION STEP MOUNTING	2	
		14	90118-KEV-FM0	COLLAR MUFFLER MOUNT	4	
		15	92101-08020-0A	BOLT, HEX., 8x20	1	
		16	92101-08028-0A	BOLT, HEX., 8x28	2	
		17	92101-08035-0A	BOLT, HEX., 8x35	2	
		18	93402-08020-00	BOLT-WASHER, 8x20	4	
		19	94002-10000-0S	NUT, HEX., 10MM	2	
		20	94101-06000	WASHER, PLAIN, 6MM	2	

15.07.1997

F - 18

Step



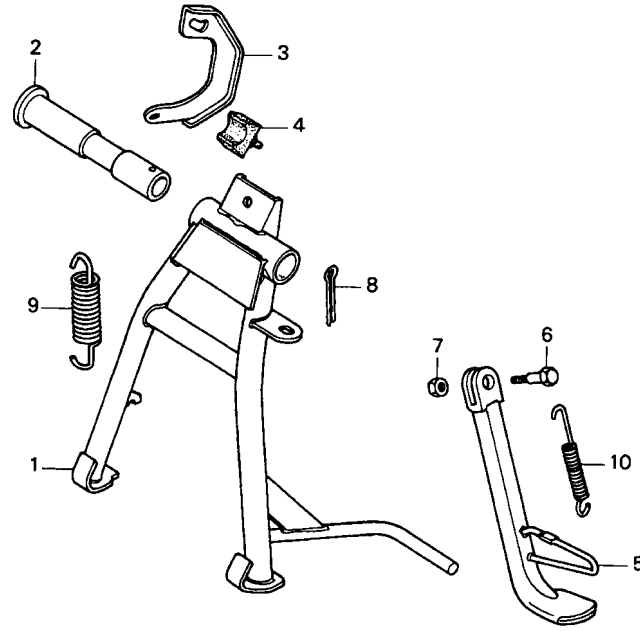
KEVF - NF100

3

No.	Part Number	Description	Q'ty	Notes
21	94103-08000	WASHER, PLAIN, 8MM	3	
22	94201-16150	PIN, SPLIT, 1.6x15	2	
23	95015-83000	PIN C, PILLION STEP	2	

F - 19

Stand



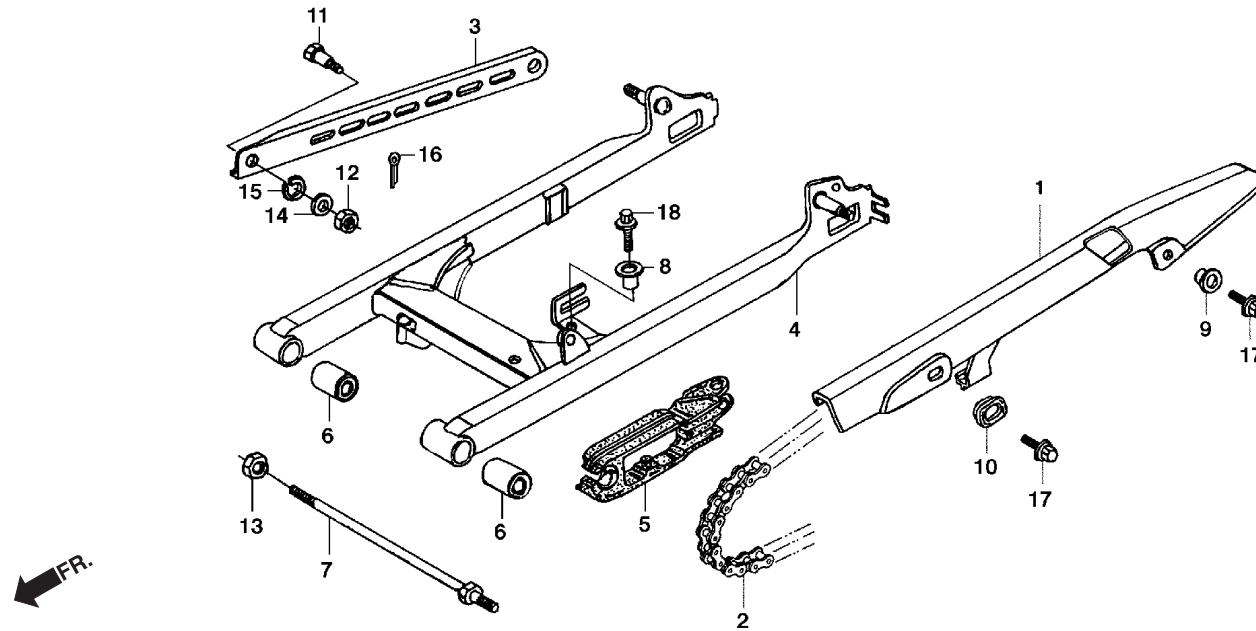
KEVF - NF100

Service item	F.R.T.	No.	Part Number	Description	Q'ty	Notes
STAND COMP., MAIN.....	0.4	1	50500-KEV-880	STAND COMP., MAIN	1	
HOOK, MAIN STAND SPRING.....	0.2	2	50512-087-820	PIPE, RR. BRAKE PIVOT	1	
. BAR COMP., SIDE STAND		3	50523-KEV-880	HOOK, MAIN STAND SPRING	1	
. SPRING D, MAIN STAND		4	50524-397-000	RUBBER, STAND STOPPER	1	
SPRING A, SIDE STAND.....	0.1	5	50530-KEV-880	BAR COMP., SIDE STAND	1	
		6	90108-223-000	SCREW, SIDE STAND PIVOT	1	
		7	94002-10000-0S	NUT, HEX., 10MM	1	
		8	94201-30250	PIN, SPLIT, 3.0x25	1	
		9	95014-71402	SPRING D, MAIN STAND	1	
		10	95014-72102	SPRING A, SIDE STAND	1	

15.07.1997

F - 20

Swingarm



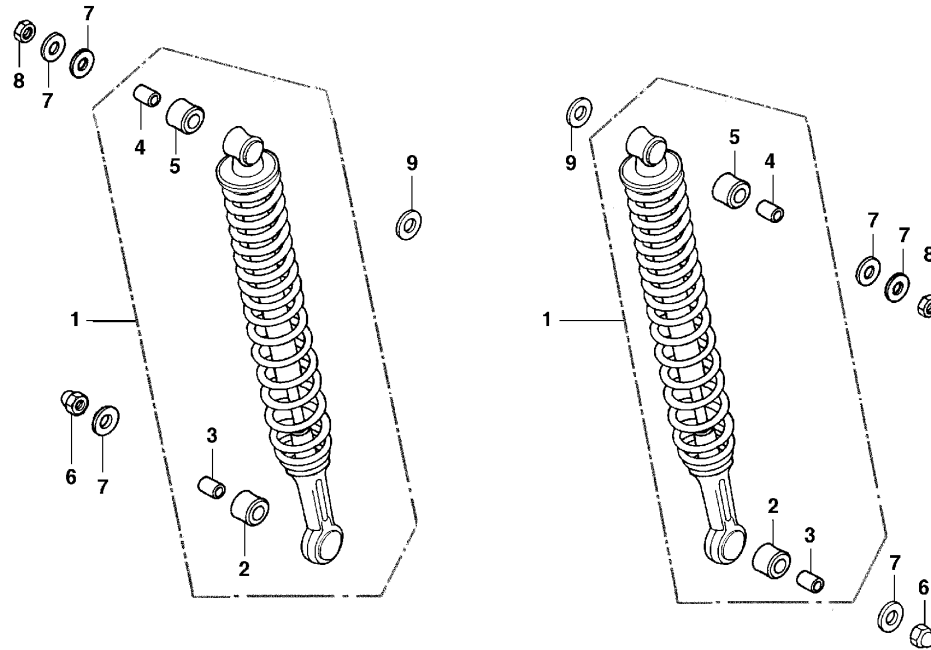
KEVF - NF100

3

Service item	F.R.T.	No.	Part Number	Description	Q'ty	Notes
CASE, DRIVE CHAIN	0.1	1	40510-KEV -880	CASE, DRIVE CHAIN	1	
(SATU ATAU SEMUANYA)		2	428-104	CHAIN, DRIVE	1	
CHAIN, DRIVE.....	0.3	3	43431-KEV-880	ARM, REAR BRAKE STOPPER.....	1	
. ARM, RR. BRAKE STOPPER		4	52110-KEV-880FMS	SWINGARM COMP., REAR *NH-255M*	1	
		5	52170-KEV-880	SLIDER, CHAIN	1	
		6	52181-001-300	RUBBER, BUSH REAR FORK	2	
		7	90121-KEV-901	BOLT, SWINGARM PIVOT	1	
		8	90503-KEV-880	COLLAR, MAIN SIDE COVER	1	
		9	90506-KC5-000	WASHER, CHAIN CASE SET	1	
		10	90513-405-000	WASHER, 6x9	1	
		11	92812-10000	BOLT A, STOPPER ARM	1	
		12	94001-08000-0S	NUT, HEX., 8MM	1	
		13	94002-10000-0S	NUT, HEX., 10MM	1	
		14	94101-08000	WASHER, PLAIN, 8MM	1	
		15	94111-10000	WASHER, SPRING, 10MM	1	
		16	94201-20150	PIN, SPLIT, 2.0x15	1	
		17	95701-06010-07	BOLT, FLANGE, 6x10	2	
		18	96001-06016-00	BOLT, FLANGE, 6x16	1	

F - 21

Rear cushion

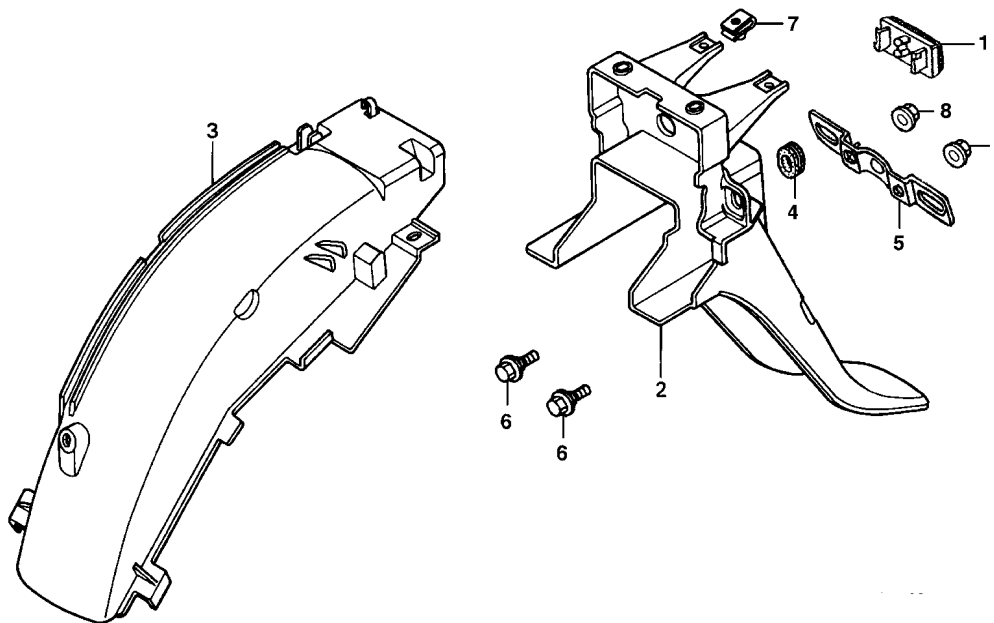


KEVF - NF100

Service item	F.R.T.	No.	Part Number	Description	Q'ty	Notes
CUSHION ASSY., RR.....0.2 (SATU ATAU SEMUANYA)		1	52400-KEV-880	CUSHION ASSY., RR.	2	
		2	52485-KEV-900	BUSH, RUBBER	2	
		3	52487-GW3-980	COLLAR, RUBBER BUSH	2	
		4	52486-056-000	COLLAR, RR. CUSHION RUBBER BUSH	2	
		5	52489-KCS-690	BUSH, UPPER RUBBER	2	
		6	90202-329-000	NUT, FLANGE CAP, 10MM	2	
		7	90528-230-000	WASHER, 10.2x20	6	
		8	94001-10000-0S	NUT, HEX., 10MM	2	
		9	94101-12000	WASHER, PLAIN, 12MM	2	

15.07.1997

F - 22
Rear fender



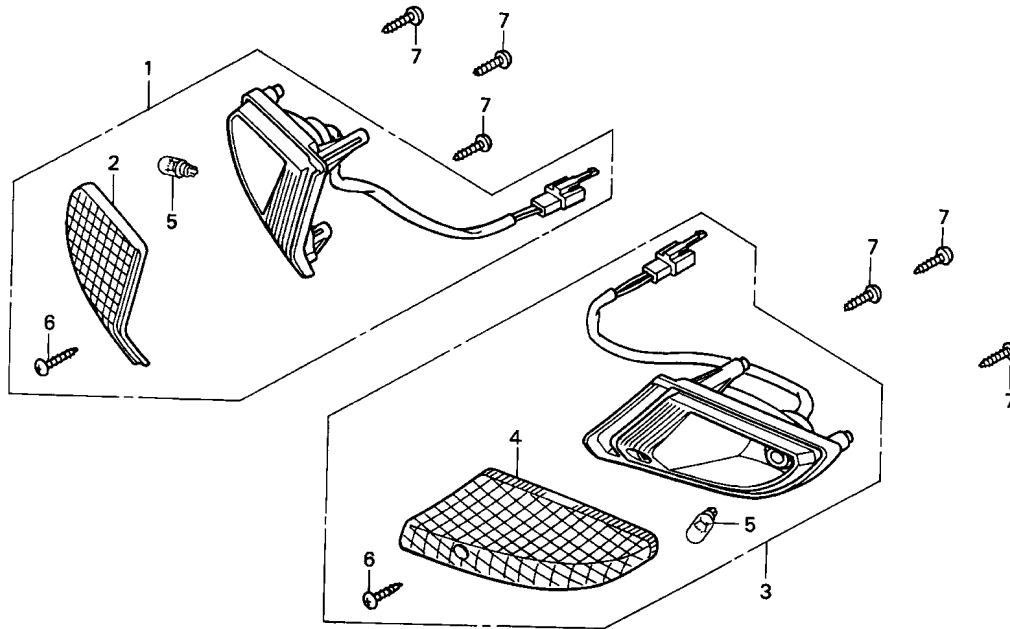
KEVF - NF100

3

Service item	F.R.T.	No.	Part Number	Description	Q'ty	Notes
FENDER, RR.....	0.4	1	33741-KEV-950	REFLECTOR, REFLEX	1	
FENDER, RR. INNER.....	0.5	2	80100-KEV-880	FENDER, RR.	1	
		3	80101-KEV-880	FENDER, RR. INNER	1	
		4	83551-GE2-000	GROMMET, AIR CLEANER CASE	2	
		5	84701-KEV-880	BRACKET, RR. NUMBER PLATE	1	
		6	90111-162-000	BOLT, FLANGE, 6MM	2	
		7	90344-964-003	NUT C, CLIP, 6MM	2	
		8	94050-06000	NUT, FLANGE, 6 MM	2	

F - 23

Front winker

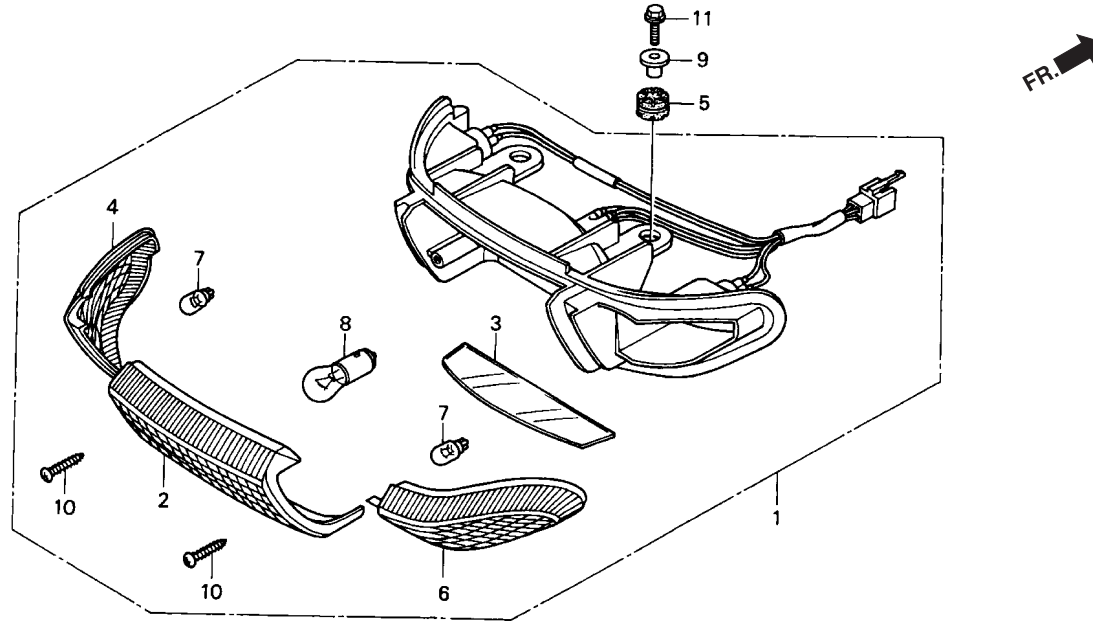


NEVF - NF100

Service item	F.R.T.	No.	Part Number	Description	Q'ty	Notes
WINKER ASSY., FR.....	0.2	1	33400-KEV-950	WINKER ASSY., R. FR.	1	
(TAMBAHKAN 0.1 UNTUK MASING-MASING)		2	33402-KEV-950	LENS, R. FR. WINKER	1	
(TERMASUK PART YANG BERHUBUNGAN)		3	33450-KEV-950	WINKER ASSY., L. FR.	1	
(KECUALI PARTS YANG BERHUBUNGAN DI BAWAH INI)		4	33452-KEV-950	LENS, L. FR. WINKER	1	
BULB, WINKER.....	0.1	5	34905-GW3-980	BULB, WINKER (12V 10W)	2	
(SATU ATAU SEMUANYA)		6	93901-24410	SCREW, TAPPING, 4x16	2	
		7	93903-34380	SCREW, TAPPING, 4x12	6	

F - 24

Rear combination light



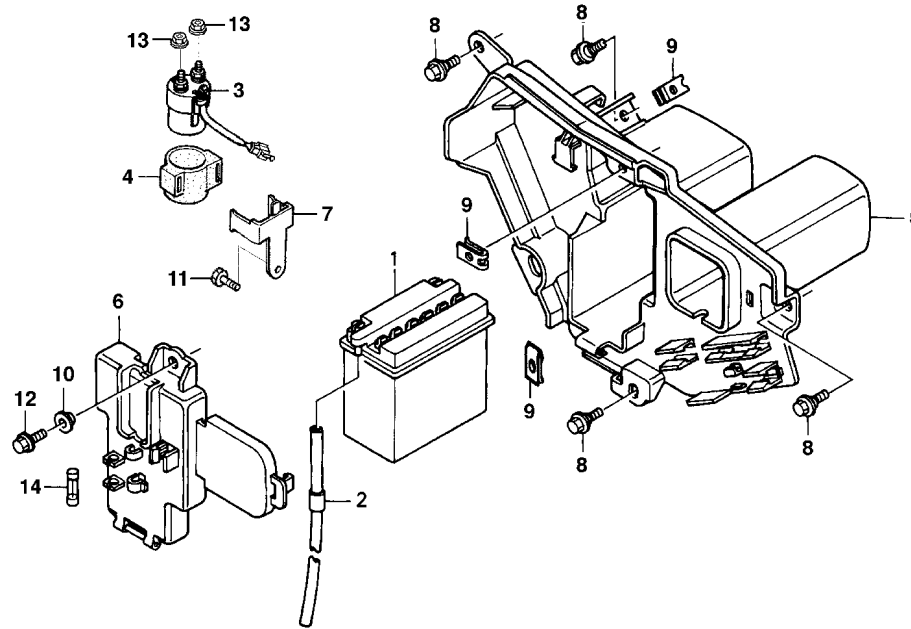
KEVF - NF100

3

Service item	F.R.T.	No.	Part Number	Description	Q'ty	Notes
LIGHT ASSY., RR. COMBINATION.....	0.3	1	33700-KEV-950	LIGHT ASSY., RR. COMBINATION	1	
BULB.....	0.1	2	33701-KEV-950	LENS, TAILLIGHT	1	
(SATU ATAU SEMUANYA)		3	33702-KEV-950	LENS, LICENSE	1	
		4	33703-KEV-950	LENS, L. RR. WINKER	1	
		5	33705-KW7-900	RUBBER A, TAILLIGHT MOUNTING	2	
		6	33753-KEV-950	LENS, R. RR. WINKER	1	
		7	34905-GW3-980	BULB, WINKER (12V 10W)	2	
		8	34906-KET-940	BULB, TAILLIGHT	1	
		9	61104-428-000	COLLAR, FR. FENDER	2	
		10	93901-24510	SCREW, TAPPING, 4x20	2	
		11	95701-06025-00	BOLT, FLANGE, 6x25	2	

F - 25

Battery/Regulator



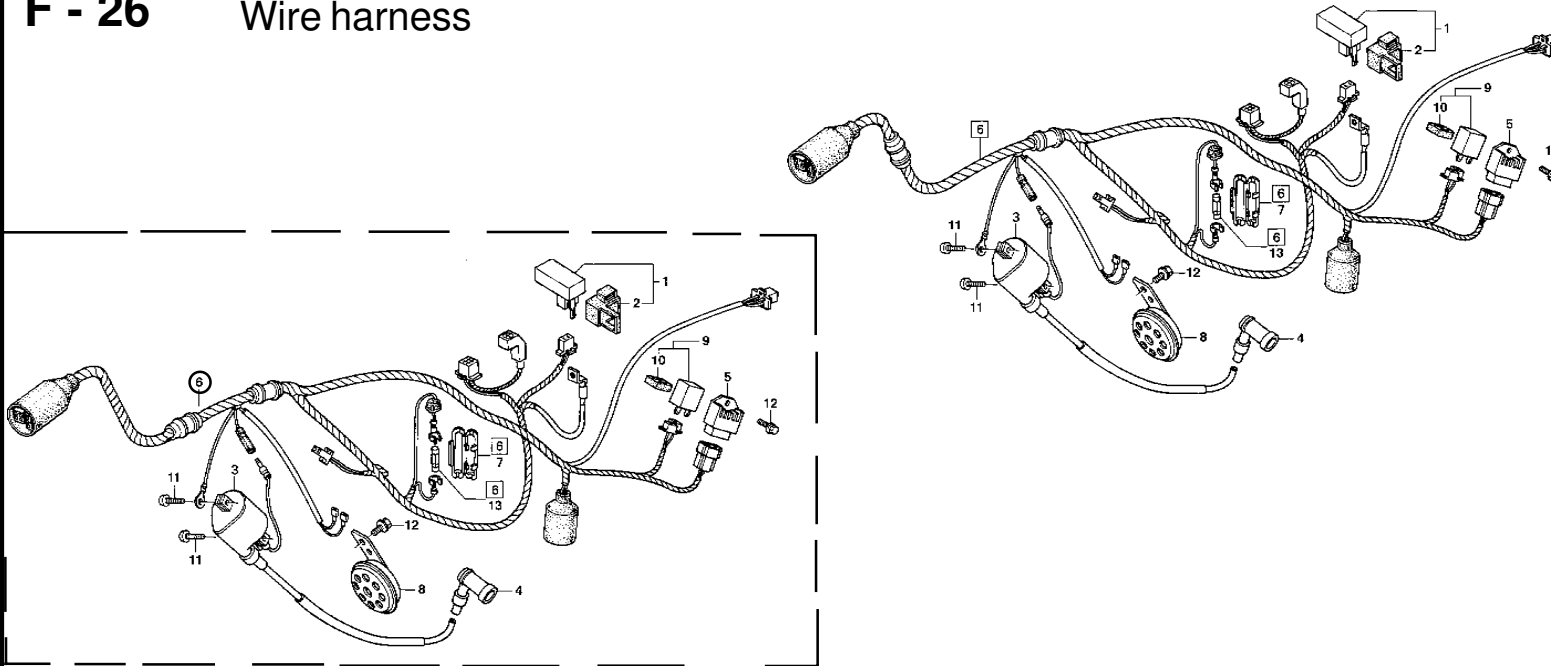
FR. →

KEVF - NF100

Service item	F.R.T.	No.	Part Number	Description	Q'ty	Notes
BATTERY ASSY.....	0.2	1	31500-GN5-830	BATTERY ASSY. (12V 4AH)	1	
CASE, BATTERY.....	0.3	2	31502-GB4-680	TUBE, BATTERY BREATHER	1	
		3	35850-GBG-910	SWITCH ASSY., STARTER MAGNETIC	1	
		4	35856-425-000	RUBBER, SHOCK MAGNETIC	1	
		5	50380-KEV-880	CASE, BATTERY	1	
		6	50382-KEV-900	HINGE, BATTERY	1	
		7	50385-KEV-880	STAY, STARTER MAGNETIC SWITCH	1	
		8	90111-162-000	BOLT, FLANGE, 6MM	4	
		9	90344-964-003	NUT C, CLIP, 6MM	3	
		10	90504-KBP-900	COLLAR, MIDDLE COVER	1	
		11	92301-06012-0A	BOLT, RECESSED, 6x12	1	
		12	92301-06014-0A	BOLT, RECESSED, 6x14	1	
		13	94050-06000	NUT, FLANGE, 6MM	2	
		14	98200-11000	FUSE A (10A)	1	

F - 26

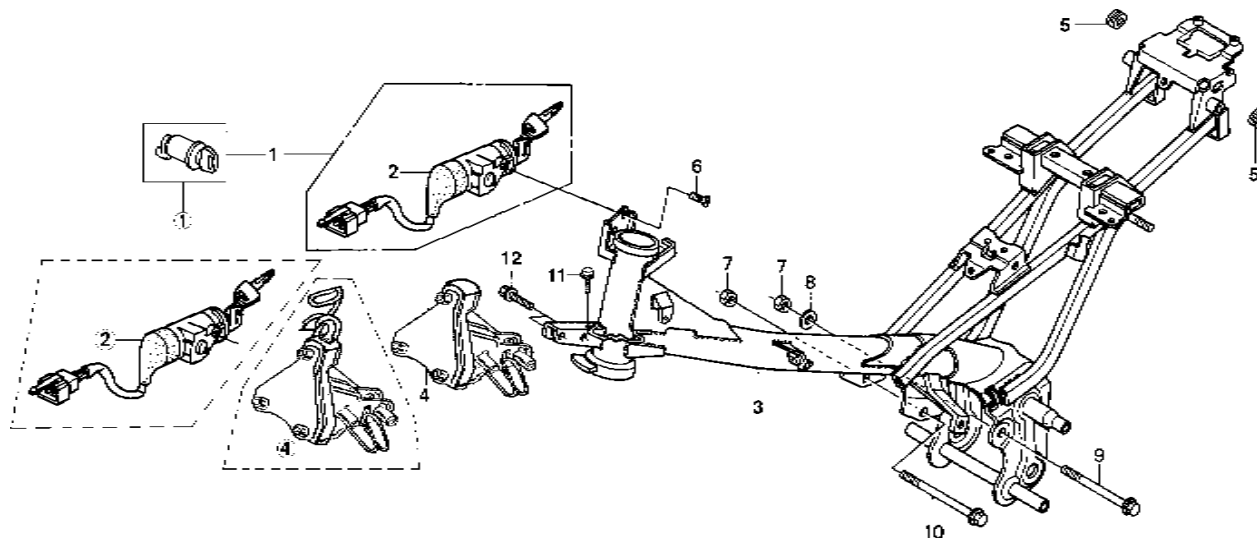
Wire harness



KEVJ

Service item	F.R.T.	No.	Part Number	Description	Q'ty	Notes
		1	30400-KEV-880	UNIT ASSY.,C.D.I	1	
		2	30401-KEV-880	CUSHION, C.D.I. UNIT	1	
		3	30500-KEV-950	COIL ASSY.,IGNITION	1	
		4	30700-GN5-961	CAP ASSY.,NOISE SUPPRESSOR	1	
		5	31600-GAZ-980	RECTIFIER COMP., REGULATE	1	
		6	32100-KEV-880	HARNESS, WIRE	1	
		6	32100-KEV-650	HARNESS, WIRE	1	SUPRA DISK BRAKE
		7	32113-230-004	CASE, FUSE CONNECTOR	1	
		8	38113-GN5-F00	HORN COMP	1	
		9	38300-KEV-950	RELAY ASSY., WINKER	1	
		10	38306-KK4-000	SUSPENSION, WINKER RELAY	1	
		11	93500-05020-0A	SCREW, PAN, 5X20	2	
		12	95701-06012-00	BOLT, FLANGE, 6X12	2	
		13	98200-11000	FUSE A (10A)	1	

F - 27 Frame body

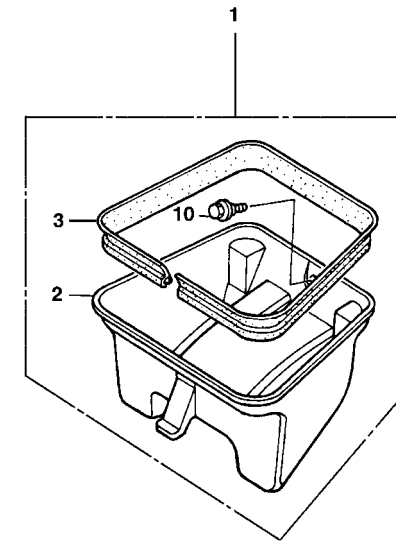
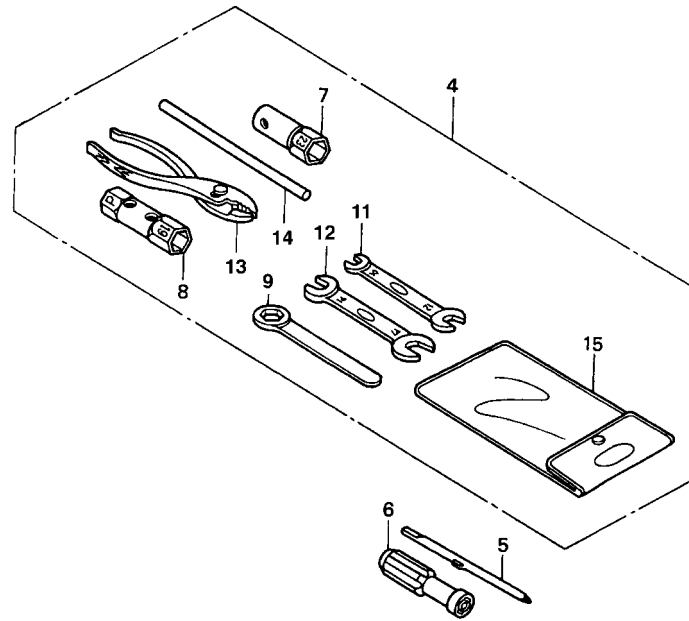


KEVJ

Service item	F.R.T.	No.	Part Number	Description	Q'ty	Notes
		1	35010-KEV-950	KEY SET	1	
		①	35010-KEV-650	KEY SET	1	SUPRA DISK BRAKE
		2	35100-KEV-950	SWITCH ASSY., COMBINATION & LOCK	1	
		②	35100-KEV-650	SWITCH ASSY., COMBINATION & LOCK	1	SUPRA DISK BRAKE
		3	50100-KEV-880	BODY COMP., FRAME	1	
		4	64221-KEV-880	STAY, FR. TOP COVER	1	
		④	64221-KEV-650	STAY, FR. TOP COVER	1	SUPRA DISK BRAKE
		5	83551-GE2-000	GROMMET, AIR CLEANER CASE	2	
		6	90164-028-000	SCREW, U-LOCK FLAT, 6x12	2	
		7	94030-08000	NUT, HEX., 8MM	2	
		8	94111-08000	WASHER, SPRING, 8MM	1	
		9	95301-08100-00	BOLT, HEX., 8x100	1	
		10	95301-08110-08	BOLT, HEX., 8x110	1	
		11	95701-06012-00	BOLT, FLANGE, 6x12	1	
		12	95701-08032-00	BOLT, FLANGE, 8x32	2	

F - 28

Tools

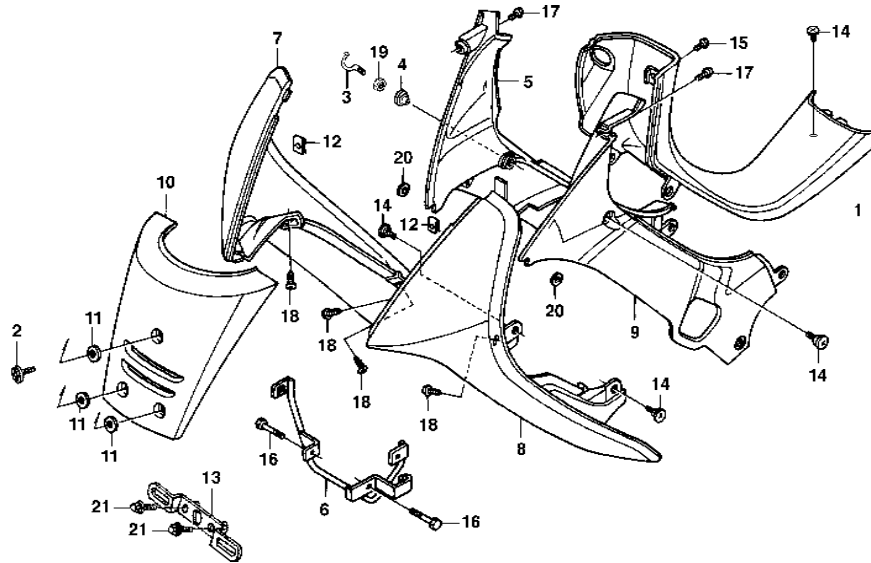


KEVF - NF100

3

Service item	F.R.T.	No.	Part Number	Description	Q'ty	Notes
BOX COMP., UTILITY.....	0.1	1	80140-KEV-880	BOX COMP., UTILITY	1	
		2	80150-KEV-880	BOX, UTILITY	1	
		3	80160-KEV-900	RUBBER, SEAL	1	
		4	89010-KEV-880	TOOL SET	1	
		5	89102-538-000	SHAFT, SCREW DRIVE	1	
		6	89103-KEV-FM0	GRIP	1	
		7	89214-041-000	WRENCH, BOX, 23MM	1	
		8	89216-GBG-770	WRENCH, SPARK PLUG	1	
		9	89218-MN8-000	WRENCH, EYE, 17MM	1	
		10	90111-162-000	BOLT, FLANGE, 6MM	1	
		11	99001-10120	SPANNER, 10x12	1	
		12	99001-14170	SPANNER, 14x17	1	
		13	99002-13501	PLIERS, 135.....	1	
		14	99005-02000	BAR B, HANDLE	1	
		15	99008-01600	BAG, TOOL, 160MM	1	

F - 29 Main pipe cover/Leg shield

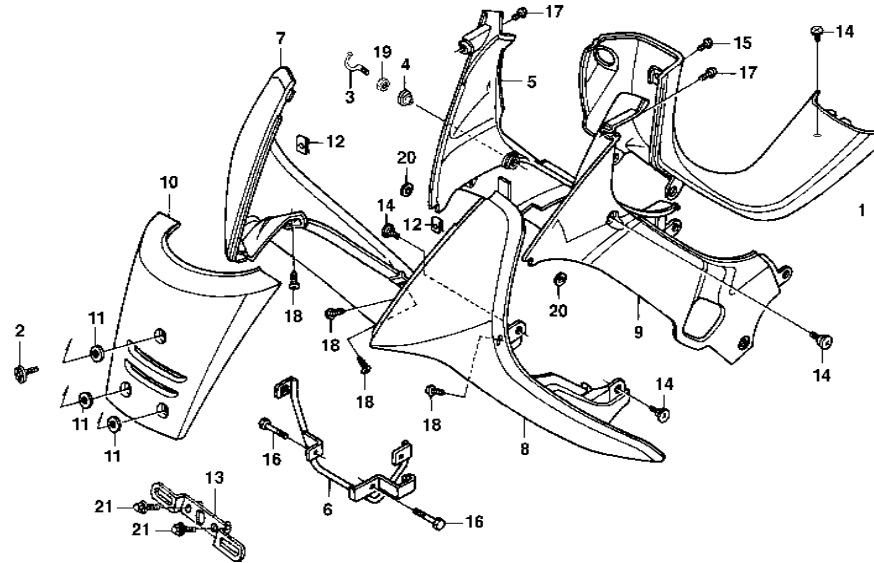


KEVJ

Service item	F.R.T.	No.	Part Number	Description	Q'ty	Notes
		1	64320-KEV-880ZA	COVER, MAIN PIPE	1	
		2	64321-GN5-830	SCREW, FRONT COVER	1	
		3	64341-KEV-FM0	HOOK, COVER R. MAIN PIPE SIDE	1	
		4	64342-KEV-FM0	COLLAR, COVER R. MAIN PIPE SIDE	1	
		5	64400-KEV-880FMB	COVER, R. MAIN PIPE SIDE*NH-1* BLACK	1	SUPRA/SUPRA DISK BRAKE
			64400-KEV-880FMJ	COVER, R. MAIN PIPE SIDE*R201* MAGNA RED	1	SUPRA DISK BRAKE
		6	64410-KEV-880	STAY, LEG SHIELD	1	
		7	64430-KEV-900	SHIELD, R. LEG	1	
		8	64440-KEV-900FMB	SHIELD, L. LEG*NH-1* BLACK	1	SUPRA/SUPRA DISK BRAKE
			64440-KEV-900FMJ	SHIELD, L. LEG*R201* MAGNA RED	1	SUPRA DISK BRAKE
		9	64450-KEV-880FMB	COVER, L. MAIN PIPE SIDE*NH-1* BLACK	1	SUPRA/SUPRA DISK BRAKE
			64450-KEV-880FMJ	COVER, L. MAIN PIPE SIDE*R201* MAGNA RED	1	SUPRA DISK BRAKE
		10	64500-KEV-900FMB	COVER, FR.TOP*NH-1* BLACK	1	SUPRA/SUPRA DISK BRAKE
			64500-KEV-900FMJ	COVER, FR.TOP*R201* MAGNA RED	1	SUPRA DISK BRAKE
		11	64510-KEV-900	CUSHION., FRONT TOP COVER	3	
		12	64521-MN5-900	NUT, CLIP, 4MM	2	
		13	81110-KEV-880	BRACKET., FRONT TOP COVER	1	
		14	90107-KW7-900	BOLT, FAIRING SETTING	4	
		15	91509-GE2-760	SCREW, PAN, 5x11.5	1	

15.11.1998

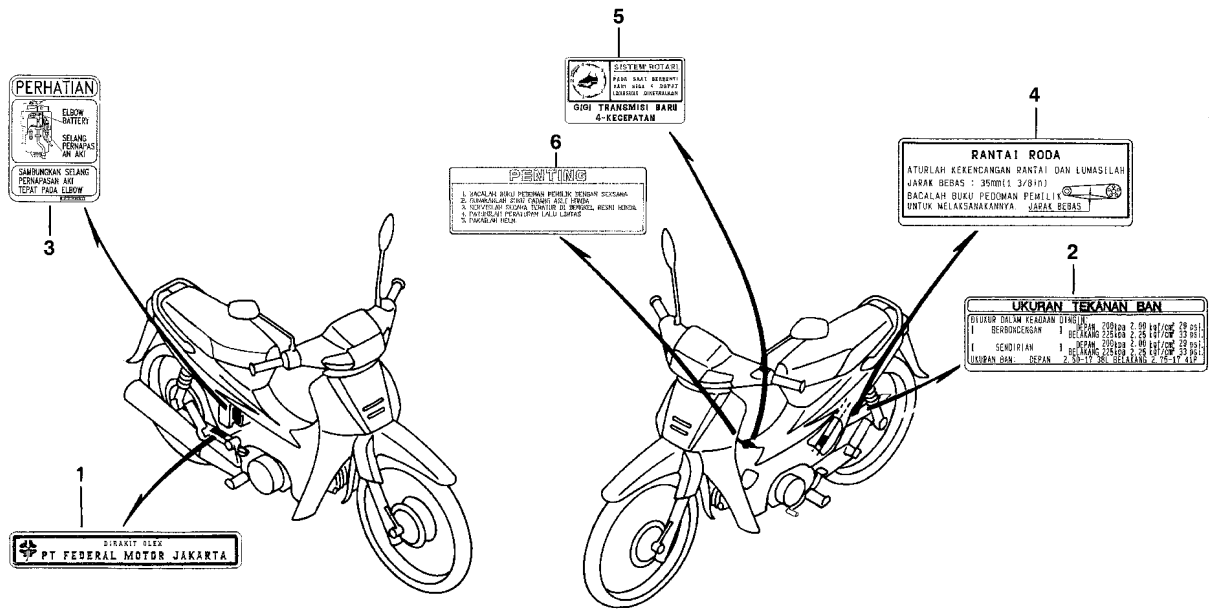
F - 29 Main pipe cover/Leg shield



KEVJ

Service item	F.R.T.	No.	Part Number	Description	Q'ty	Notes
		16	92101-06020-0A	BOLT, HEX., 6x20	2	
		17	93891-04020-07	SCREW-WASHER, 4x20	2	
		18	93903-25210	SCREW, TAPPING, 5x12	6	
		19	94001-06000-0S	NUT, HEX., 6MM	1	
		20	94101-10000	WASHER, PLAIN, 10MM	2	
		21	95701-06020-18	BOLT, FLANGE, 6x20	2	

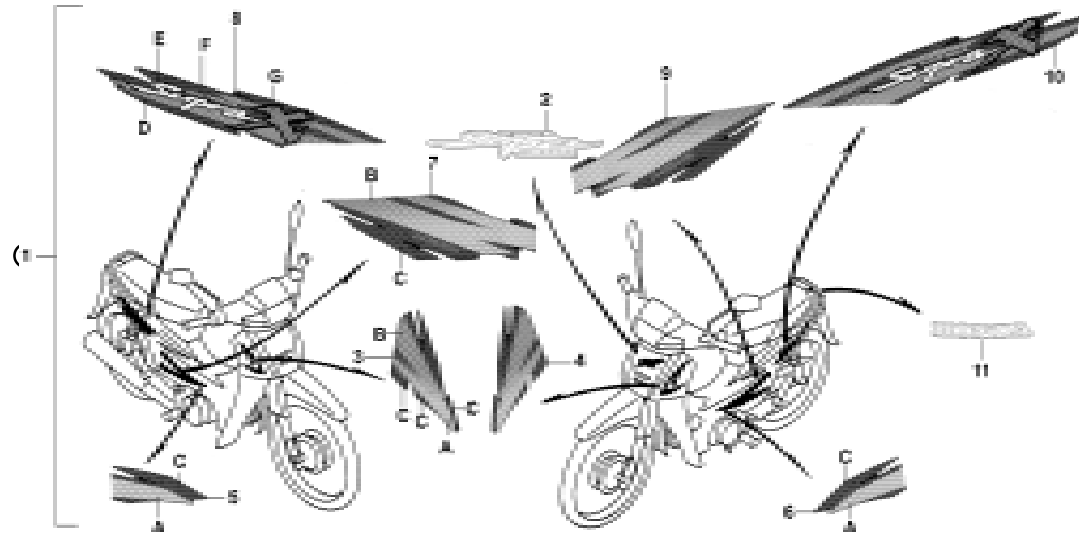
F - 30
Caution label



KEVF - NF100

No.	Part Number	Description	Q'ty	Notes
1	87128-KEV-FM0	PLATE, NAME	1	
2	87505-KEV-880	LABEL, TIRE	1	
3	87506-KEV-880	MARK, BATTERY CAUTION	1	
4	87507-KEV-880	LABEL, DRIVE CHAIN	1	
5	87512-GN8-111	LABEL, SHIFT PATTERN	1	
6	87560-KC5-920	MARK, DRIVE CAUTION	1	

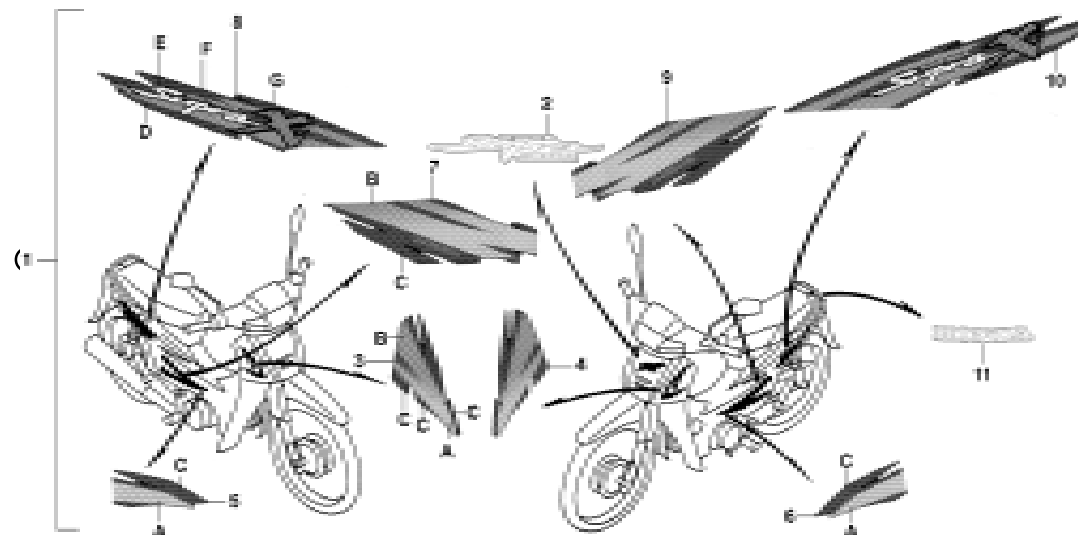
F - 31 Emblem/Stripe/ Mark



KEVJ

Service item	F.R.T.	No.	Part Number	Description	Q'ty	Notes
		①	871X0-KEV-650ZA	STRIPING SET TYPE 1	1	SUPRA DISK BRAKE
			871X0-KEV-650ZB	STRIPING SET TYPE 2	1	
			871X0-KEV-650ZC	STRIPING SET TYPE 3	1	
		2	87101-KEV-FM0	EMBLEM, FR. TOP COVER	1	
		3	87102-KEV-650ZA	STRIPE, R. LEG SHIELD*TYPE1*	1	SUPRA DISK BRAKE
			87102-KEV-650ZB	STRIPE, R. LEG SHIELD*TYPE2*	1	
			87102-KEV-650ZC	STRIPE, R. LEG SHIELD*TYPE3*	1	
		4	87103-KEV-650ZA	STRIPE, L. LEG SHIELD*TYPE1*	1	SUPRA DISK BRAKE
			87103-KEV-650ZB	STRIPE, L. LEG SHIELD*TYPE2*	1	
			87103-KEV-650ZC	STRIPE, L. LEG SHIELD*TYPE3*	1	
		5	87104-KEV-650ZA	STRIPE, R. MAIN PIPE SIDE*TYPE1*	1	SUPRA DISK BRAKE
			87104-KEV-650ZB	STRIPE, R. MAIN PIPE SIDE*TYPE2*	1	
			87104-KEV-650ZC	STRIPE, R. MAIN PIPE SIDE*TYPE3*	1	
		6	87105-KEV-650ZA	STRIPE, L. MAIN PIPE SIDE*TYPE1*	1	SUPRA DISK BRAKE
			87105-KEV-650ZB	STRIPE, L. MAIN PIPE SIDE*TYPE2*	1	
			87105-KEV-650ZC	STRIPE, L. MAIN PIPE SIDE*TYPE3*	1	
		7	87106-KEV-650ZA	STRIPE, R. MAIN PIPE SIDE*TYPE1*	1	SUPRA DISK BRAKE
			87106-KEV-650ZB	STRIPE, R. MAIN PIPE SIDE*TYPE2*	1	
			87106-KEV-650ZC	STRIPE, R. MAIN PIPE SIDE*TYPE3*	1	

F - 31 Emblem/Stripe/
Mark

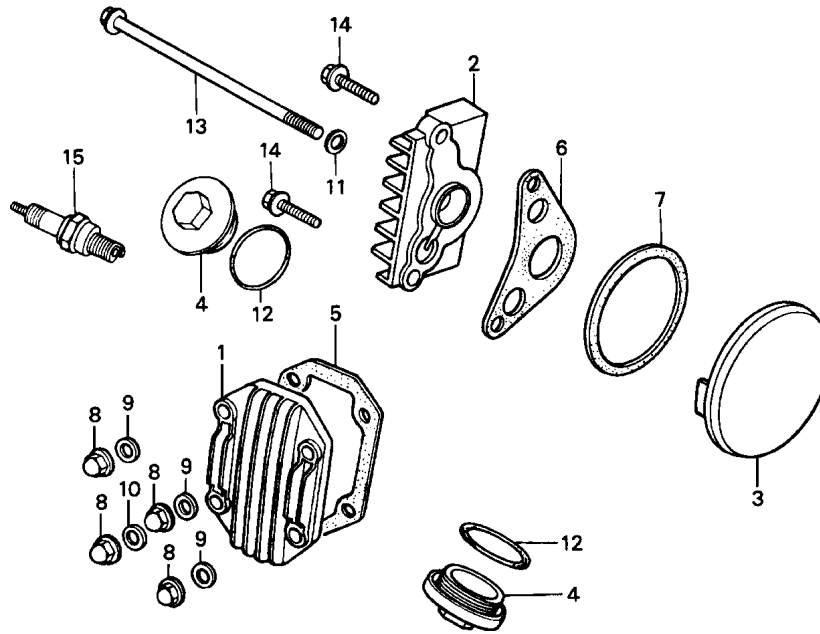


KEVJ

Service item	F.R.T.	No.	Part Number	Description	Q'ty	Notes
		8	87107-KEV-650ZA	STRIPE, R.BODY COVER *TYPE1*	1	SUPRA DISK BRAKE
			87107-KEV-650ZB	STRIPE, R.BODY COVER *TYPE2*	1	
			87107-KEV-650ZC	STRIPE, R.BODY COVER *TYPE3*	1	
		9	87108-KEV-650ZA	STRIPE A, L. BODY COVER *TYPE1*	1	SUPRA DISK BRAKE
			87108-KEV-650ZB	STRIPE A, L. BODY COVER *TYPE2*	1	
			87108-KEV-650ZC	STRIPE A, L. BODY COVER *TYPE3*	1	
		10	87109-KEV-650ZA	STRIPE B, L. BODY COVER *TYPE1*	1	SUPRA DISK BRAKE
			87109-KEV-650ZB	STRIPE B, L. BODY COVER *TYPE2*	1	
			87109-KEV-650ZC	STRIPE B, L. BODY COVER *TYPE3*	1	
		11	87110-KEV-900	MARK, TAIL COVER	1	

E - 1

Cylinder head cover

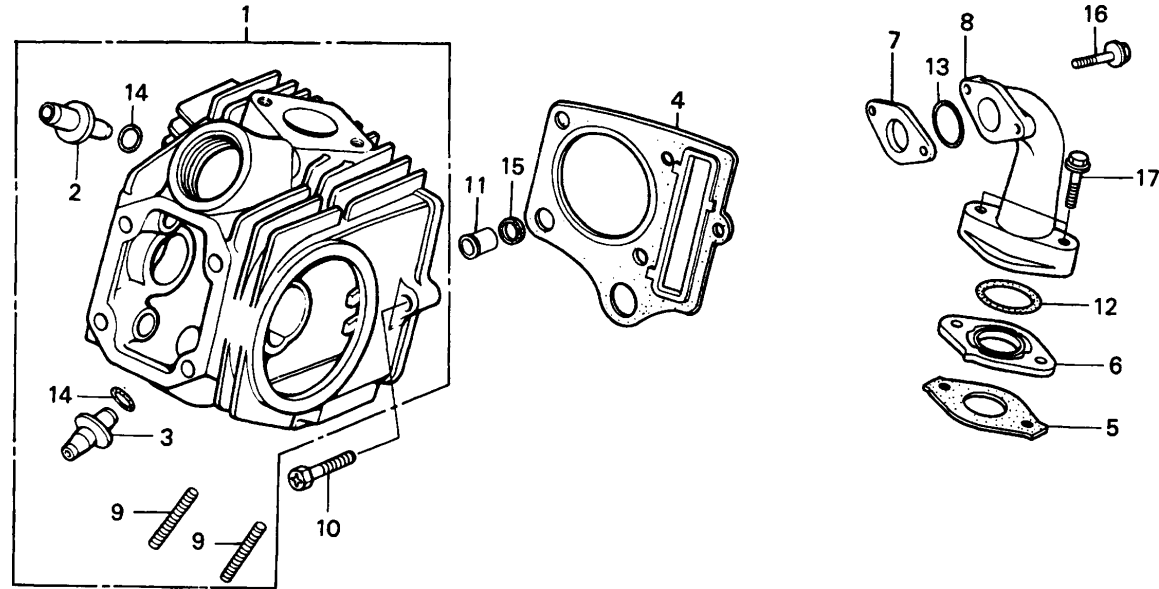


KEVF - NF100

Service item	F.R.T.	No.	Part Number	Description	Q'ty	Notes
COVER, CYLINDER HEAD.....	0.3	1	12301-GB6-910	COVER, CYLINDER HEAD	1	
. COVER, R. CYLINDER HEAD SIDE		2	12331-GB0-910	COVER, R. CYLINDER HEAD SIDE	1	
COVER, L. CYLINDER HEAD SIDE.....	0.2	3	12341-GN5-780	COVER, L. CYLINDER HEAD SIDE	1	
PLUG, SPARK	0.1	4	12361-035-000	CAP, TAPPET ADJUSTING HOLE	2	
		5	12391-GB6-911	GASKET, CYLINDER HEAD COVER	1	
		6	12394-GB4-680	GASKET, R. CYLINDER HEAD SIDE COVER	1	
		7	12395-GB2-003	GASKET, L. CYLINDER HEAD SIDE COVER	1	
		8	90201-GF6-010	NUT, CAP, 7MM	4	
		9	90442-GF6-010	WASHER, SEALING, 7MM	3	
		10	90443-GF6-010	WASHER A, SEALING, 7MM	1	
		11	90461-357-000	WASHER, SEALING, 6.5x12	1	
		12	91302-GBG-850	O-RING, 30.8x3.....	2	
		13	95701-06110-00	BOLT, FLANGE, 6x110	1	
		14	96001-06020-00	BOLT, FLANGE, 6x20	2	
		15	98056-57723	PLUG, SPARK, U 22 FS - U.....	1	

E - 2

Cylinder head



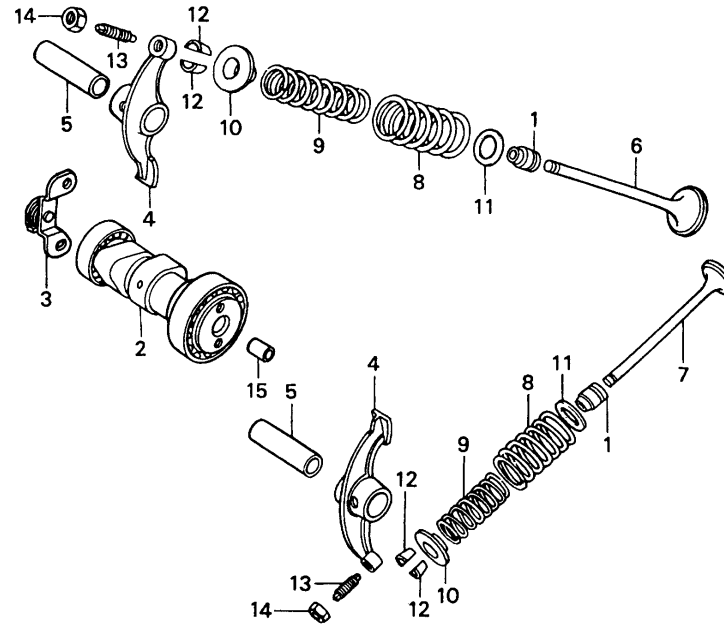
KEVF

Service item	F.R.T.	No.	Part Number	Description	Q'ty	Notes
HEAD COMP., CYLINDER	1.8	1	12200-KEV-900	HEAD COMP., CYLINDER	1	
.GUIDE, VALVE		2	12237-GB4-305	GUIDE, IN. VALVE	1	
(TERMASUK REAMING)		3	12245-GB4-305	GUIDE, EX. VALVE	1	
(TAMBAHKAN 0.3 UNTUK MASING-MASING)		4	12250-GF6-000	GASKET ASSY., CYLINDER HEAD	1	
(KECUALI SKIR KLEP)		5	16201-GB6-911	GASKET, INSULATOR	1	
(TAMBAHKAN 0.2 LAGI BILA DILAKUKAN)		6	16211-GB5-750	INSULATOR, CARBURATOR	1	
GASKET ASSY., CYLINDER HEAD	1.1	7	16211-051-690	INSULATOR, CARBURATOR	1	
INSULATOR, CARBURETOR	0.2	8	17111-GN5-911	PIPE, IN	1	
PIPE, IN	0.3	9	90033-041-020	BOLT, STUD, 6x32	2	
.BOLT, STUD, 6x32		10	90082-035-010	BOLT, 6MM	1	
(TAMBAHKAN 0.1 UNTUK MASING-MASING)		11	90602-GB0-911	COLLAR, 9.5MM	1	
		12	91301-GK4-871	O-RING, 27x2.0	1	
		13	91304-GB1-900	O-RING, 25x2.4	1	
		14	91305-028-158	O-RING, 9x1.6	2	
		15	91306-GF6-003	GASKET, RUBBER, 9MM	1	
		16	96001-06025-00	BOLT, FLANGE, 6x25	2	
		17	95701-06028-00	BOLT, FLANGE, 6x28	2	

17.11.1999

E - 3

Camshaft/Valve

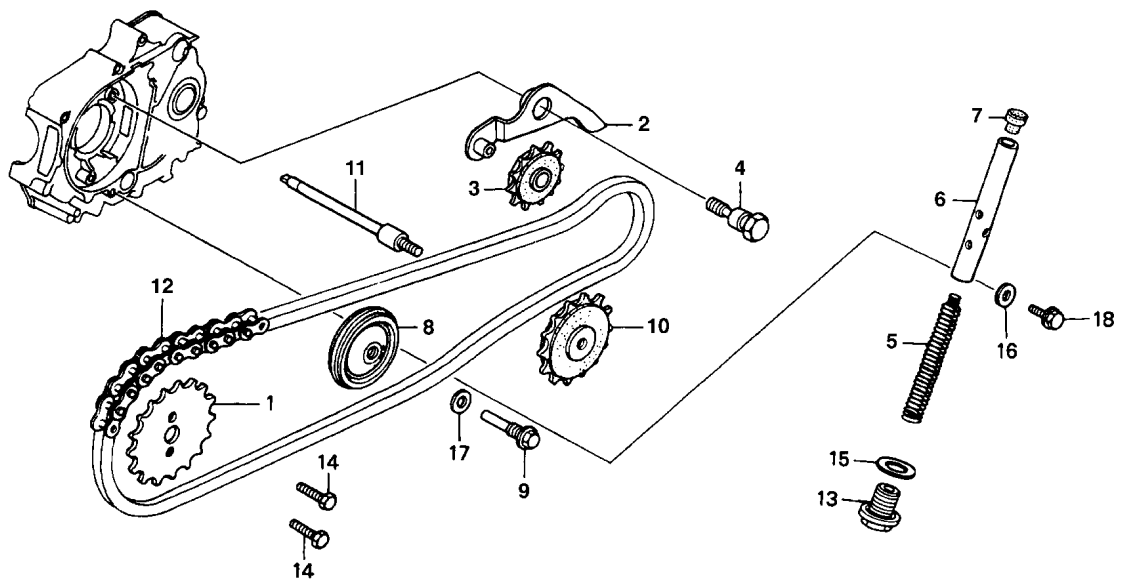


KEVF - NF100

Service item	F.R.T.	No.	Part Number	Description	Q'ty	Notes
CAMSHAFT COMP.....	1.3	1	12209-GB4-681	SEAL, VALVE STEM	2	
. ARM, VALVE ROCKER (SATU ATAU SEMUANYA)		2	14100-GN5-912	CAMSHAFT COMP.	1	
VALVE.....	1.6	3	14150-GN5-911	PLATE COMP., STOPPER	1	
(TAMBAHKAN 0.2 UNTUK MASING-MASING) (TERMASUK SKIR KLEP) (KEQUALI PENGGANTIAN VALVE GUIDE)		4	14431-GN5-910	ARM, VALVE ROCKER	2	
SPRING, VALVE.....	1.4	5	14451-035-000	SHAFT, VALVE ROCKER ARM	2	
(TAMBAHKAN 0.1 UNTUK MASING-MASING) (TERMASUK PART YANG BERHUBUNGAN)		6	14711-GN5-912	VALVE, IN	1	
		7	14721-GF6-010	VALVE, EX	1	
		8	14751-GN5-911	SPRING, VALVE OUTER	2	
		9	14761-GN5-911	SPRING, VALVE INNER	2	
		10	14771-GB4-680	RETAINER, VALVE SPRING	2	
		11	14775-MA6-000	SEAT, VALVE SPRING OUTER	2	
		12	14781-MA6-000	COTTER, VALVE	4	
		13	90012-333-000	SCREW, TAPPET ADJUSTING	2	
		14	90206-001-000	NUT, TAPPET ADJUSTING	2	
		15	90702-GB6-910	PIN, DOWEL, 8x12	1	

E - 4

Cam chain/Tensioner

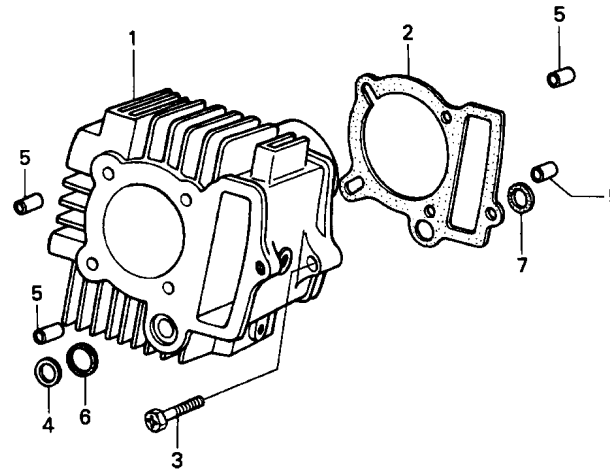


KEVF - NF100

Service item	F.R.T.	No.	Part Number	Description	Q'ty	Notes
SPROCKET, CAM.....	0.6	1	14321-GBG-900	SPROCKET, CAM (28T)	1	
CHAIN, CAM.....	1.9	2	14500-035-020	ARM COMP., CAM CHAIN TENSIONER	1	
ARM COMP., CAM CHAIN TENSIONER....	0.7	3	14502-086-000	ROLLER, CAM CHAIN TENSIONER	1	
. ROLLER, CAM CHAIN TENSIONER		4	14531-035-000	PIVOT, CAM CHAIN TENSIONER	1	
ROD COMP., CAM CHAIN TENSIONER		5	14541-GB4-681	SPRING, CAM CHAIN TENSIONER	1	
PUSH.....	0.3					
ROLLER COMP., CAM CHAIN GUIDE..	1.2	6	14550-GB0-911	ROD COMP., CAM CHAIN TENSIONER PUSH ..	1	
SPROCKET, CAM CHAIN GUIDE.....	1.7	7	14566-086-030	HEAD, CAM CHAIN TENSIONER PUSH ROD ...	1	
. SPINDLE, CAM CHAIN GUIDE SPROCKET		8	14610-086-010	ROLLER COMP., CAM CHAIN GUIDE	1	
		9	14615-035-010	PIN, CAM CHAIN GUIDE ROLLER	1	
		10	14671-035-300	SPROCKET, CAM CHAIN GUIDE (25T)	1	
		11	14675-178-000	SPINDLE, CAM CHAIN GUIDE SPROCKET	1	
		12	25H-84	CHAIN, CAM	1	
		13	90081-035-000	BOLT, SEALING, 14MM	1	
		14	90083-GB6-911	BOLT, KNOCK, 5MM	2	
		15	90441-035-000	WASHER, SEALING, 14MM	1	
		16	90461-357-000	WASHER, SEALING, 6.5x12	1	
		17	90481-035-000	WASHER, 8MM	1	
		18	95701-06018-00	BOLT, FLANGE, 6x18	1	

15.07.1997

E - 5
Cylinder

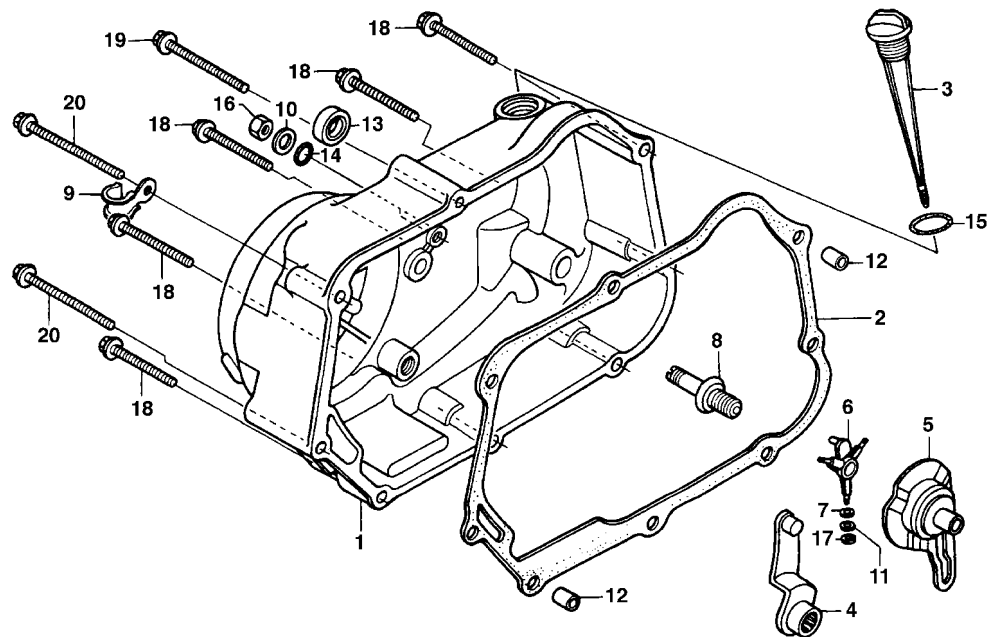


KEVF - NF100

Service item	F.R.T.	No.	Part Number	Description	Q'ty	Notes
CYLINDER.....	1.4	1	12101-GN5-910	CYLINDER	1	
GASKET, CYLINDER.....	1.3	2	12191-GF6-004	GASKET, CYLINDER	1	
		3	90082-035-010	BOLT, 6MM	1	
		4	90603-GBO-911	COLLAR, 14.8MM	1	
		5	90701-GF6-000	PIN, DOWEL, 8x14	4	
		6	91301-GF6-003	O-RING, 14.5MM	1	
		7	91303-GF6-003	PACKING, RUBBER, 16MM	1	

E - 6

Right crankcase cover



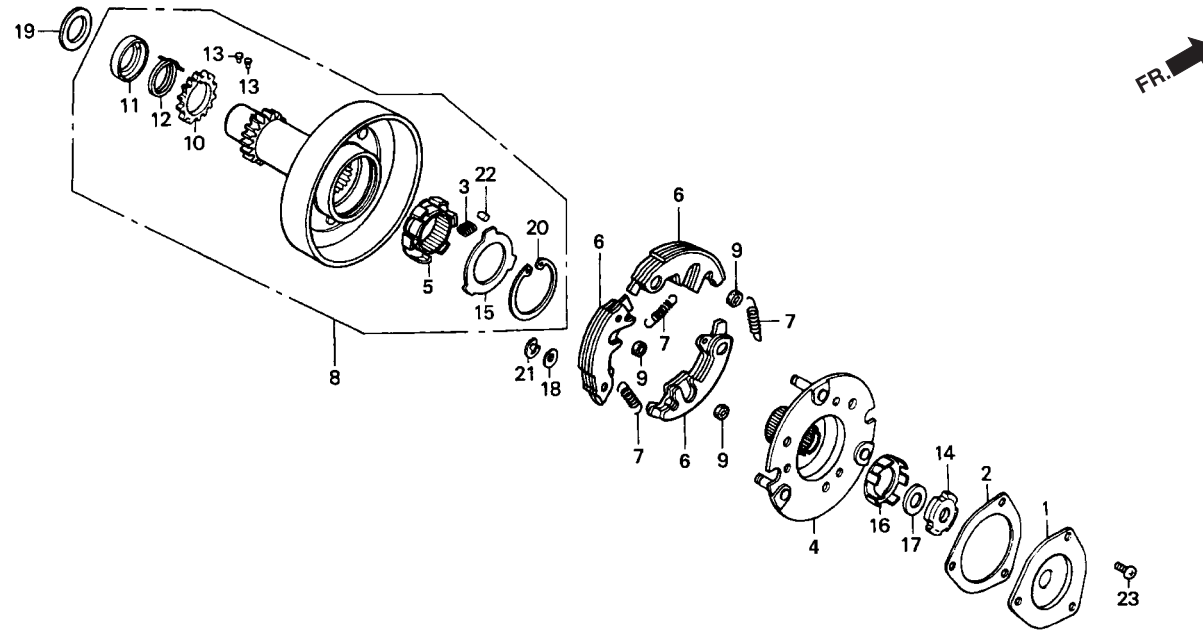
KEVF - NF100

Service item	F.R.T.	No.	Part Number	Description	Q'ty	Notes
COVER COMP., R. CRANKCASE.....	0.8	1	11330-KEV-880	COVER COMP., R. CRANKCASE	1	
. BOSS, CLUTCH LIFTER		2	11394-035-010	GASKET, R. CRANKCASE COVER	1	
GASKET, R. CRANKCASE COVER.....	0.6	3	15651-GN5-912	GAUGE, OIL LEVEL	1	
. LEVER COMP., CLUTCH		4	22810-GN5-910	LEVER COMP., CLUTCH	1	
. PLATE COMP., CLUTCH CAM		5	22820-GN5-940	PLATE COMP., CLUTCH CAM	1	
. OIL SEAL, 13.8x24x5		6	22830-GN5-910	BOSS, CLUTCH LIFTER	1	
ROLLER, CLUTCH LIFTER.....	0.7	7	22836-GN5-910	ROLLER, CLUTCH LIFTER	3	
(JIKA SELURUH UNIT DISERVIS, F.R.T.		8	22846-GN5-910	BOLT, CLUTCH ADJUSTING	1	
ADALAH 0.8)		9	32921-039-000	CLIP, DYNAMO CORD.	1	
		10	90485-040-000	WASHER, 8MM	1	
		11	90515-GN5-910	WASHER, PLAIN, 4x8	3	
		12	90702-GB6-910	PIN, DOWEL, 8x12	2	
		13	91202-302-010	OIL SEAL, 13.8x24x5	1	
		14	91303-001-000	O-RING, 8MM	1	
		15	91307-035-000	O-RING, 18x3	1	
		16	94030-08000	NUT, HEX., 8MM	1	
		17	94540-03019	E-RING, 3MM	3	
		18	96001-06040-00	BOLT, FLANGE, 6x40	5	
		19	96001-06065-00	BOLT, FLANGE, 6x65	1	
		20	96001-06080-00	BOLT, FLANGE, 6x80	2	

15.07.1997

E - 7

Oneway clutch



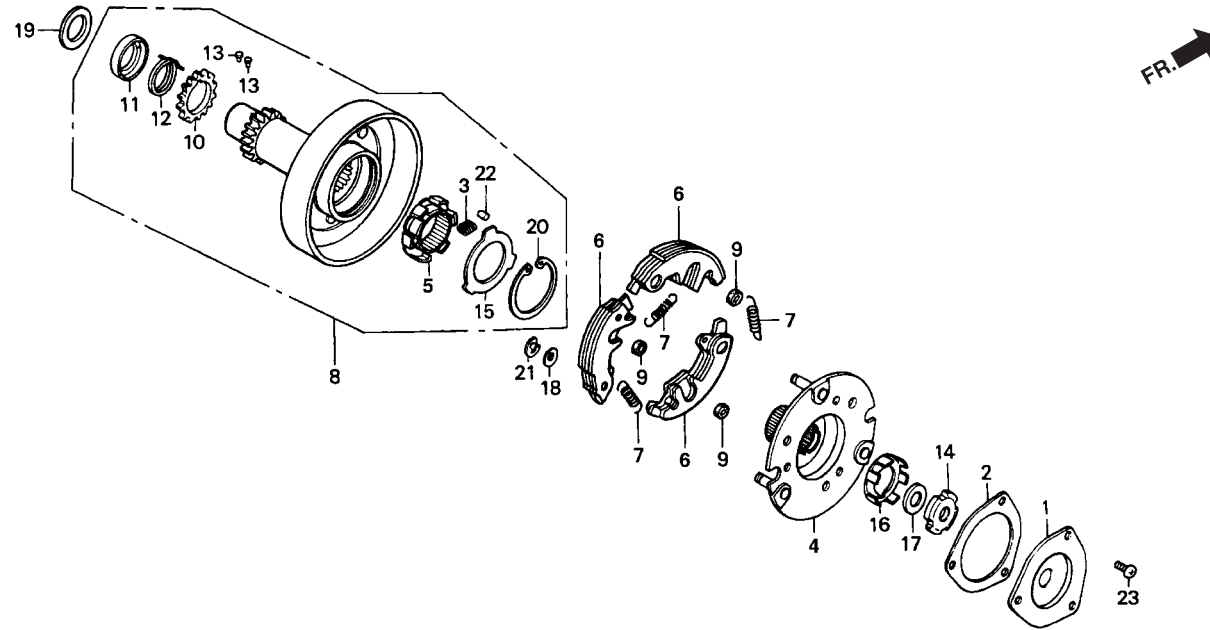
KEVF - NF100

Service item	F.R.T.	No.	Part Number	Description	Q'ty	Notes
COVER, OIL FILTER.....	0.7	1	15431-HF7-010	COVER, OIL FILTER	1	
WEIGHT SET, CLUTCH.....	1.0	2	15439-GN5-911	GASKET, OIL FILTER	1	
. PLATE COMP., PRIMARY DRIVE		3	22606-GN5-910	SPRING, ONE WAY RETAINER	6	
. INNER COMP., ONE-WAY CLUTCH		4	22610-GN5-910	PLATE COMP., PRIMARY DRIVE	1	
(TERMASUK PART YANG BERHUBUNGAN)		5	22630-GB2-000	INNER COMP., ONE-WAY CLUTCH	1	
. SUB GEAR						
OUTER ASSY., PRIMARY CLUTCH.....	1.2	6	22631-HF7-003	WEIGHT, PRIMARY CLUTCH	3	
		7	22641-GN8-920	SPRING, PRIMARY CLUTCH	3	
		8	22660-GN5-911	OUTER ASSY., PRIMARY CLUTCH	1	
		9	22804-GB2-000	RUBBER, CLUTCH DAMPER	3	
		10	23122-GN5-910	SUB GEAR (17T)	1	
		11	23123-GN5-910	COLLAR, SIDE	1	
		12	23124-GN5-910	SPRING, SUB GEAR	1	
		13	23125-GN5-910	PIN	2	
		14	90231-198-000	NUT B, LOCK, 14MM	1	
		15	90401-GB2-000	WASHER, 30x45x0.8	1	
		16	90431-GN5-910	WASHER, LOCK	1	
		17	90432-086-000	WASHER B, LOCK	1	
		18	90442-GN5-910	WASHER, THRUST, 8MM	3	
		19	90453-GB2-000	WASHER, THRUST, 19x28x1.5	1	
		20	90455-GB2-000	CIRCLIP, INTERNAL, 45MM	1	

15.07.1997

E - 7

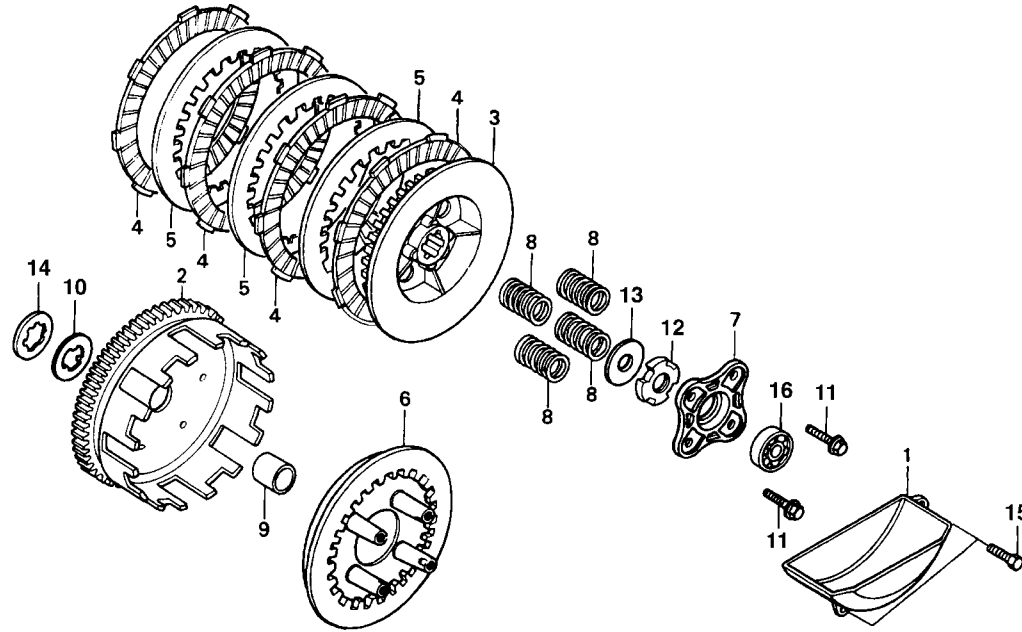
Oneway clutch



KEVF - NF100

No.	Part Number	Description	Q'ty	Notes
21	90605-166-720	CIRCLIP, 7MM	3	
22	91101-GB2-000	ROLLER, 5x8	6	
23	93500-05008-0A	SCREW, PAN, 5x8	3	

E - 8
Clutch

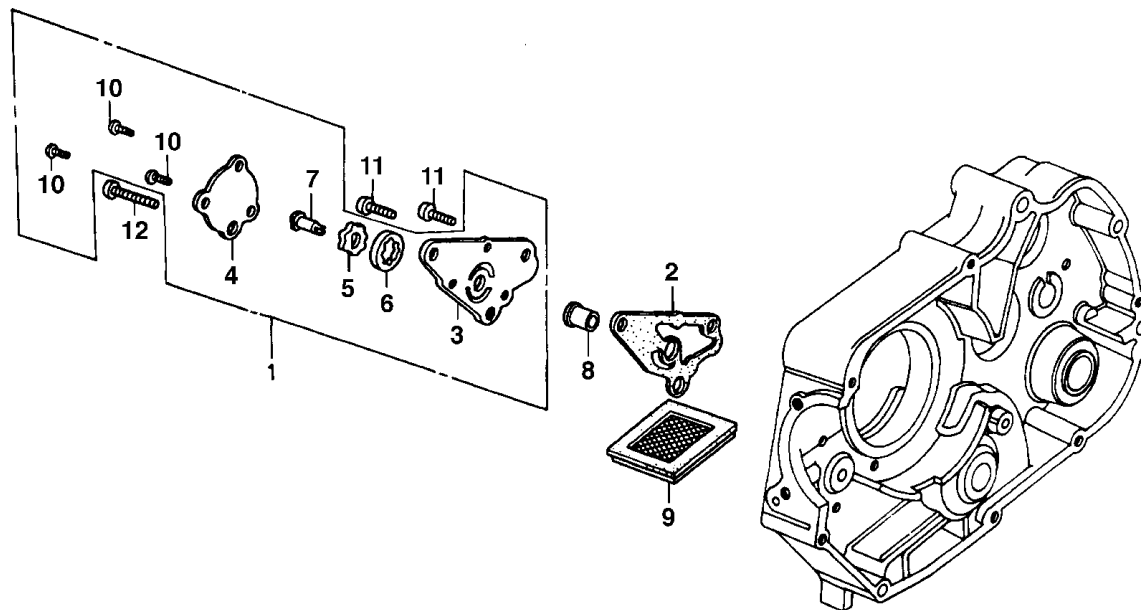


KEVF - NF100

Service item	F.R.T.	No.	Part Number	Description	Q'ty	Notes
PLATE, OIL SEPARATOR.....1.1		1	15661-GN5-910	PLATE, OIL SEPARATOR	1	
OUTER COMP., CLUTCH.....1.2		2	22110-KEV-880	OUTER COMP., CLUTCH (69T)	1	
. CENTER COMP., CLUTCH		3	22120-GN5-910	CENTER COMP., CLUTCH	1	
. DISK, CLUTCH FRICTION		4	22201-KBW-900	DISK, CLUTCH FRICTION	4	
(TERMASUK PART YANG BERHUBUNGAN)		5	22311-107-000	PLATE, CLUTCH	3	
(SATU ATAU SEMUANYA)						
. PLATE, CLUTCH PRESSURE		6	22350-115-020	PLATE, CLUTCH PRESSURE	1	
PLATE, CLUTCH LIFTER.....0.7		7	22361-GN8-920	PLATE, CLUTCH LIFTER	1	
. SPRING, CLUTCH		8	22401-GN5-910	SPRING, CLUTCH	4	
(SATU ATAU SEMUANYA)		9	23112-GN5-910	COLLAR, CLUTCH CENTER	1	
. BEARING, RADIAL BALL, 6000		10	23217-GN5-910	SET RING, 17	1	
		11	90050-357-000	BOLT, SPECIAL FLANGE, 6x22	4	
		12	90231-087-010	NUT, LOCK, 14MM	1	
		13	90432-086-000	WASHER B, LOCK	1	
		14	90462-GN5-910	WASHER B, SPLINE, 17MM	1	
		15	92101-06020-0A	BOLT, HEX., 6x20	2	
		16	FMB 6000	BEARING, RADIAL BALL, 6000	1	

E - 9

Oil pump

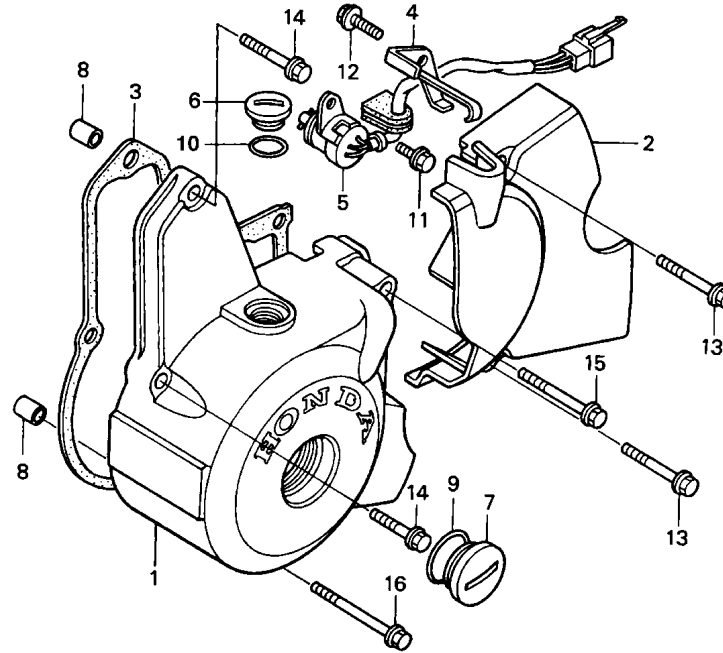


KEVF - NF100

Service item	F.R.T.	No.	Part Number	Description	Q'ty	Notes
PUMP ASSY., OIL.....1.3 (TERMASUK PART YANG BERHUBUNGAN)		1	15100-GBG-931	PUMP ASSY., OIL	1	
SCREEN, OIL FILTER.....0.6		2	15119-178-000	GASKET, OIL PUMP BODY	1	
		3	15311-GBG-931	BODY, OIL PUMP	1	
		4	15321-GBG-931	COVER, OIL PUMP	1	
		5	15331-GF6-000	ROTOR, OIL PUMP INNER	1	
		6	15332-GF6-000	ROTOR, OIL PUMP OUTER	1	
		7	15382-GB5-811	DRIVESHAFT, OIL PUMP	1	
		8	15384-178-000	PIVOT, OIL PUMP	1	
		9	15421-035-010	SCREEN, OIL FILTER	1	
		10	93500-05010-0A	SCREW, PAN, 5x10	3	
		11	93500-06016-0A	SCREW, PAN, 6x16	2	
		12	93500-06022-0A	SCREW, PAN, 6x22	1	

E - 10

Left crankcase cover

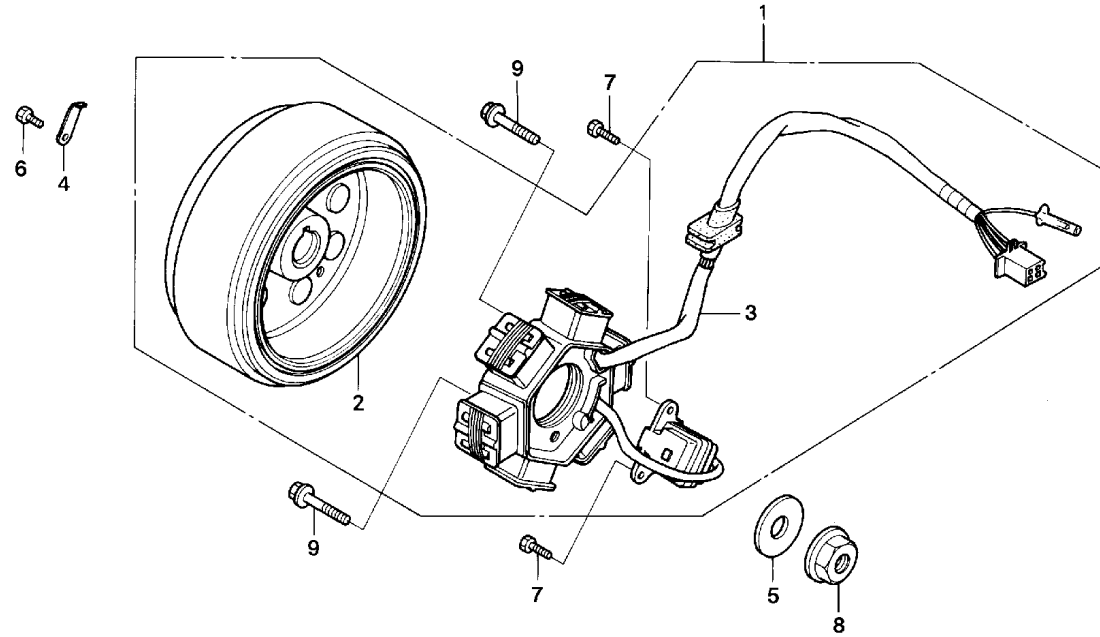


KEVF - NF100

Service item	F.R.T.	No.	Part Number	Description	Q'ty	Notes
COVER, L. CRANKCASE.....0.4		1	11341-KEV-880	COVER, L. CRANKCASE	1	
COVER, L. RR. CRANKCASE.....0.1		2	11360-KEV-880	COVER, L. RR. CRANKCASE	1	
GASKET, L. CRANKCASE COVER.....0.3		3	11395-GB4-780	GASKET, L. CRANKCASE COVER	1	
SWITCH ASSY., CHANGE.....0.5		4	32961-GT0-700	CLAMPER	1	
		5	35759-KEV-901	SWITCH ASSY., CHANGE	1	
		6	90084-GN5-830	CAP, A.C. GENERATOR	1	
		7	90087-GN5-830	CAP, 30MM	1	
		8	90702-GB6-910	PIN, DOWEL, 8x12	2	
		9	91301-GK4-871	O-RING, 27x2.0	1	
		10	91303-377-000	O-RING, 13.8x2.5	1	
		11	96001-06012-00	BOLT, FLANGE, 6x12	1	
		12	96001-06016-00	BOLT, FLANGE, 6x16	1	
		13	96001-06028-00	BOLT, FLANGE, 6x28	2	
		14	96001-06032-00	BOLT, FLANGE, 6x32	2	
		15	96001-06050-00	BOLT, FLANGE, 6x50	1	
		16	96001-06070-00	BOLT, FLANGE, 6x70	1	

E - 11

Generator

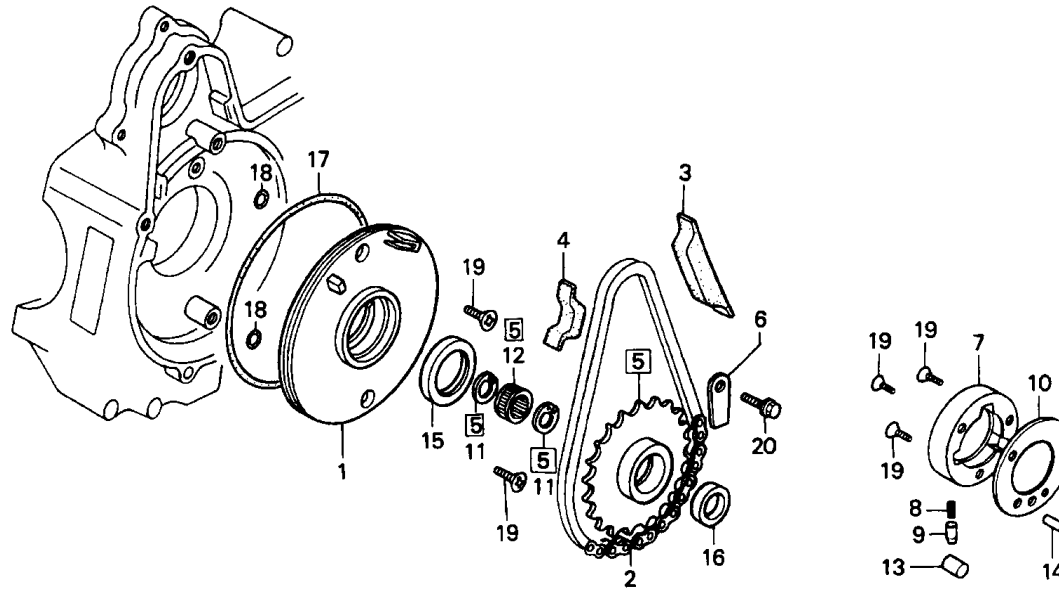


KEVF - NF100

Service item	F.R.T.	No.	Part Number	Description	Q'ty	Notes
GENERATOR ASSY., FLYWHEEL TYPE....	0.6	1	31100-KEV-881	GENERATOR ASSY., FLYWHEEL TYPE A.C.	1	
A.C.		2	31110-GN5-831	FLYWHEEL COMP.	1	
FLYWHEEL COMP.....	0.7	3	31120-KEV-881	STATOR COMP.	1	
STATOR COMP.....	0.6	4	31141-141-860	CLAMPER, A.C. GENERATOR CORD.	1	
		5	90410-HC4-000	WASHER, 10MM	1	
		6	93301-05006-0H	BOLT, HEX., 5x6	1	
		7	93301-05010-0H	BOLT, HEX., 5x10	2	
		8	94050-10000	NUT, FLANGE, 10MM	1	
		9	96001-06022-00	BOLT, FLANGE, 6x22	2	

E - 12

Starting clutch

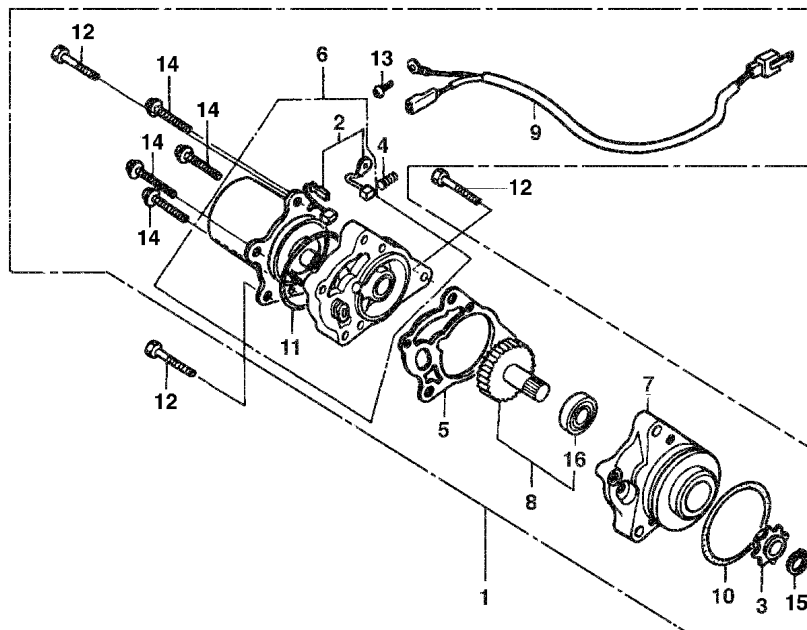


KEVF - NF100

Service item	F.R.T.	No.	Part Number	Description	Q'ty	Notes
PLATE, OIL SEPARATE.....	0.6	1	11321-179-710	PLATE, OIL SEPARATE	1	
. SPROCKET COMP., STARTING		2	25H-62	CHAIN, STARTING	1	
CHAIN, STARTING.....	0.5	3	28102-GB4-700	GUIDE, STARTER CHAIN	1	
. ROLLER, 10x10		4	28103-GB4-700	PROTECTOR, STARTER CHAIN	1	
(SATU ATAU SEMUANYA)		5	28110-GB4-700	SPROCKET COMP., STARTING	1	
. OIL SEAL, 30x42x4.5		6	28117-179-710	PLATE, STARTING SPROCKET SETTING	1	
. OIL SEAL, 18.9x28x5		7	28120-179-710	OUTER, STARTING CLUTCH	1	
. O-RING, 107x2		8	28125-179-710	SPRING, STARTING CLUTCH ROLLER	3	
GUIDE, STARTER CHAIN.....	0.3	9	28126-253-030	CAP, STARTING CLUTCH ROLLER SPRING	3	
OUTER, STARTING CLUTCH.....	0.7	10	28128-179-710	PLATE, STARTING CLUTCH SIDE	1	
		11	90464-GB2-701	CIRCLIP, INTERNAL, 23MM	2	
		12	91005-GB2-701	BEARING, NEEDLE, 19x23x13	1	
		13	91101-179-710	ROLLER, 10x10	3	
		14	91102-179-711	ROLLER, 5x11.8	1	
		15	91201-GB4-691	OIL SEAL, 30x42x4.5	1	
		16	91202-GB4-691	OIL SEAL, 18.9x28x5	1	
		17	91301-035-003	O-RING, 107x2	1	
		18	91317-171-003	O-RING, 6x1.7	2	
		19	93600-06016-0A	SCREW, FLAT, 6x16	5	
		20	96001-06010-00	BOLT, FLANGE, 6x10	1	

E - 13

Starting motor



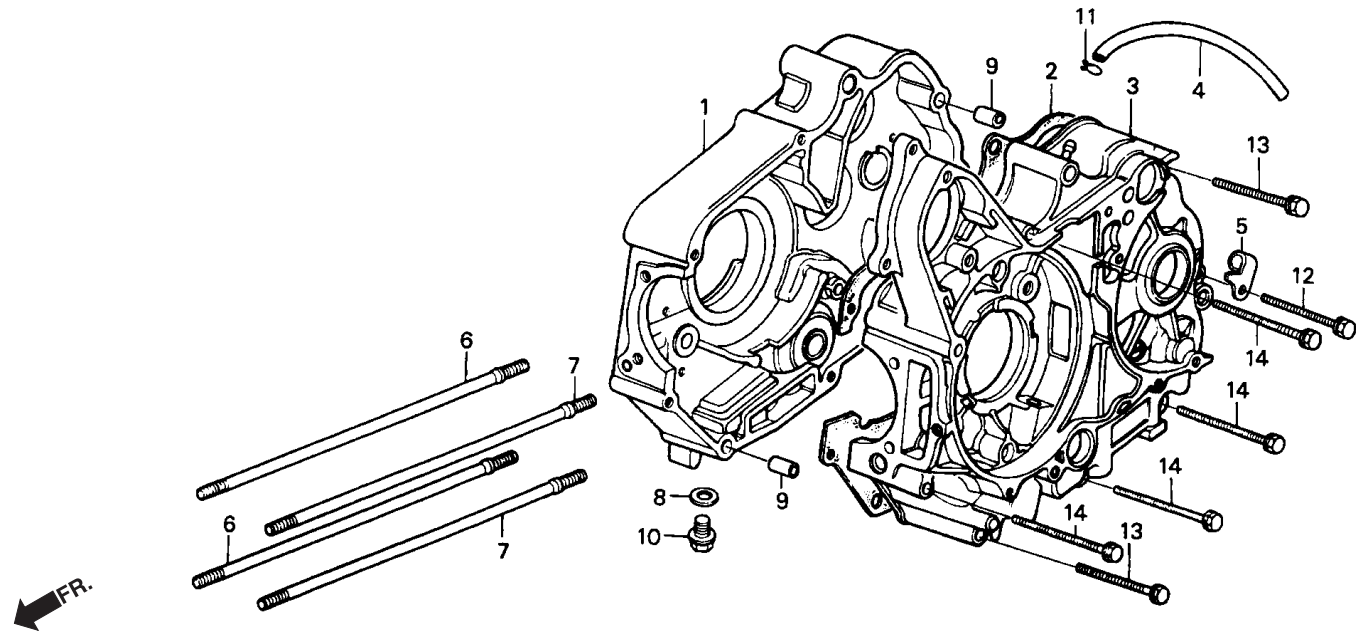
KEVF - NF100

Service item	F.R.T.	No.	Part Number	Description	Q'ty	Notes
BRUSH SET.....	0.9	1	31200-KEV-920	MOTOR ASSY., STARTER	1	
SPROCKET.....	0.5	2	31201-187-701	BRUSH SET	1	
. HANYA MOTOR		3	31202-GB2-700	SPROCKET	1	
CASE A, FR.....	0.8	4	31204-GBG-970	SPRING, BRUSH	2	
. GEAR COMP., DRIVEN		5	31205-GB4-701	PACKING	1	
SUB HARNESS A.....	0.4	6	31208-GB4-701	MOTOR ONLY	1	
		7	31211-GB4-701	CASE A, FR.	1	
		8	31213-GB4-701	GEAR COMP., DRIVEN	1	
		9	32410-KEV-920	SUB HARNESS A	1	
		10	91308-GB4-701	O-RING A	1	
		11	91309-GB2-701	O-RING B	1	
		12	92101-06045-0A	BOLT, FLANGE, 6x45	3	
		13	93892-04006-08	SCREW-WASHER, 4x6	1	
		14	93892-05030-08	SCREW-WASHER, 5x30	4	
		15	94510-12000	CIRCLIP, EXTERNAL, 12MM	1	
		16	FMB 6001	BEARING, RADIAL BALL, 6001	1	

15.07.1997

E - 14

Crankcase

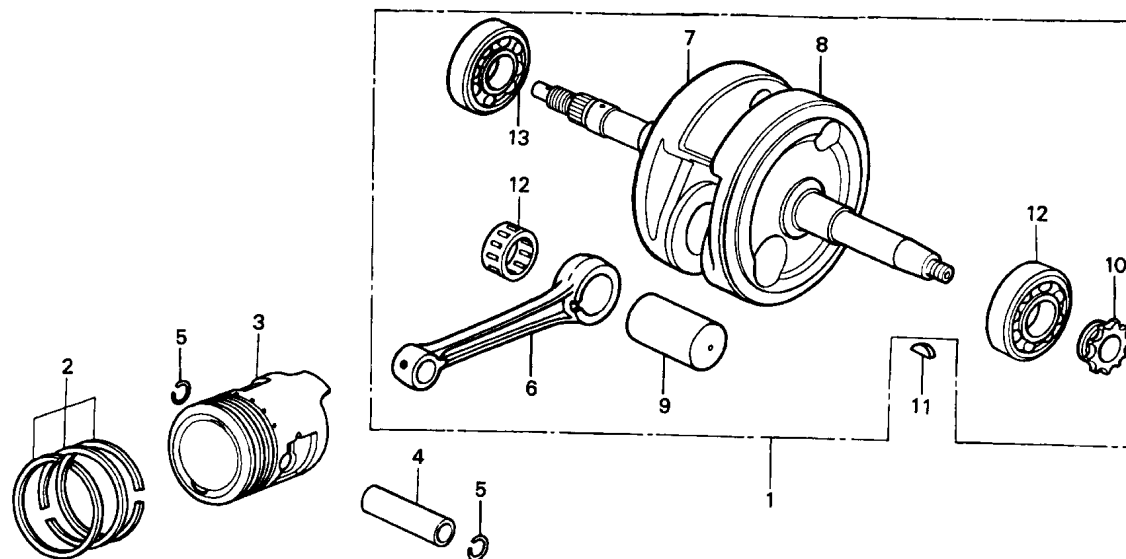


KEVF - NF100

Service item	F.R.T.	No.	Part Number	Description	Q'ty	Notes
CRANKCASE COMP., R.....	*4.3	1	11100-KEV-880	CRANKCASE COMP., R.	1	
GASKET, CRANKCASE.....	*3.9	2	11191-KEV-880	GASKET, CRANKCASE	1	
CRANKCASE COMP., L.....	*4.9	3	11200-KEV-880	CRANKCASE COMP., L.	1	
BOLT, CYLINDER STUD.....	1.3	4	15761-087-611	TUBE, BREATHER, 5x320	1	
(TAMBAHKAN 0.1 UNTUK MASING-MASING)		5	16236-171-000	CLAMPER, OVER FLOW PIPE	1	
		6	90031-GF6-000	BOLT A, CYLINDER STUD, 6x198	2	
		7	90032-GF6-000	BOLT B, CYLINDER STUD, 6x205.5	2	
		8	90407-259-000	PACKING, DRAIN PLUG, 12.5x20	1	
		9	90704-035-000	PIN A, KNOCK, 10x14	2	
		10	92800-12000	BOLT, DRAIN PLUG, 12MM	1	
		11	95002-50000	CLIP, TUBE (C9)	1	
		12	96001-06050-00	BOLT, FLANGE, 6x50	1	
		13	96001-06060-00	BOLT, FLANGE, 6x60	2	
		14	96001-06065-00	BOLT, FLANGE, 6x65	4	

E - 15

Crankshaft/Piston



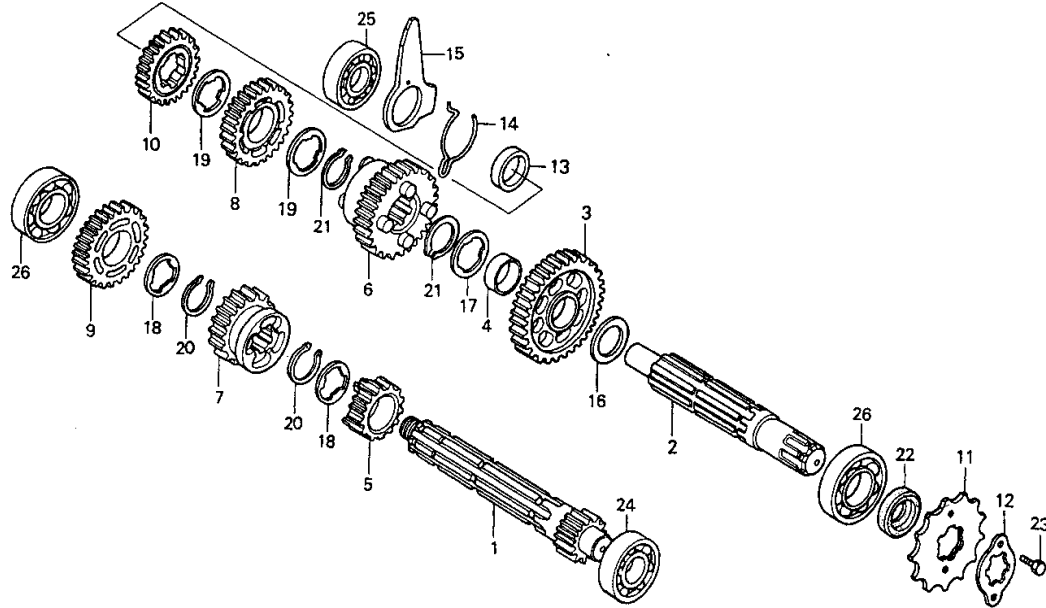
KEVF - NF100

Service item	F.R.T.	No.	Part Number	Description	Q'ty	Notes
CRANKSHAFT COMP.....	*4.4	1	13000-KEV-880	CRANKSHAFT COMP.....	1	
RING SET, PISTON.....	1.5	2	13011-GN5-961	RING SET, PISTON (STD)	1	
. PISTON			13012-GN5-961	RING SET, PISTON (0.25)	1	
PIN, PISTON.....	1.4		13013-GN5-961	RING SET, PISTON (0.50)	1	
ROD ,CONNECTING.....(WAKTU SESUNGGUHNYA)			13014-GN5-961	RING SET, PISTON (0.75)	1	
(TERMASUK PART YANG BERHUBUNGAN)			13015-GN5-961	RING SET, PISTON (1.00)	1	
BEARING, RADIAL BALL, 6304.....	*4.6	3	13101-GN5-912	PISTON (STD)	1	
(TAMBAHKAN 0.2 UNTUK MASING-MASING)			13102-GN5-325	PISTON (0.25)	1	
			13103-GN5-325	PISTON (0.50)	1	
			13104-GN5-325	PISTON (0.75)	1	
			13105-GN5-325	PISTON (1.00)	1	
		4	13111-GB0-910	PIN, PISTON	1	
		5	13115-001-000	CLIP, PISTON PIN, 13MM	2	
		6	13201-KEV-880	ROD, CONNECTING	1	
		7	13310-KEV-900	CRANKSHAFT COMP., R.	1	
		8	13321-KEV-900	CRANKSHAFT, L.	1	
		9	13381-GF6-300	PIN, CRANK	1	
		10	14311-035-000	SPROCKET, TIMING	1	
		11	90701-HB6-010	KEY, WOODRUFF, 4MM	1	
		12	91101-GF6-003	BEARING, CONNECTING ROD (RED)	1	
			91102-GF6-003	BEARING, CONNECTING ROD (BLUE)	1	
			91103-GF6-003	BEARING, CONNECTING ROD (WHITE)	1	
		13	FMB 6304	BEARING, RADIAL BALL, 6304	2	

Connecting Rod D.D. 30,1 ø	a	A	B	C	D	E	F
Crank Pin D.L. 25,1 ø	-0.003 ~ -0.001	-0.001 ~ +0.001	+0.001 ~ +0.003	+0.003 ~ +0.005	+0.005 ~ +0.007	+0.007 ~ +0.009	+0.009 ~ +0.011
1 Hijau (Green)	-0.001 ~ +0.001	91102- GF6-003 (Biru)	91101- GF6-003 (Merah)				
2 Kuning (Yellow)	-0.001 ~ +0.003	91102- GF6-003 (Biru)	91101- GF6-003 (Merah)				
3 Putih (White)	+0.003 ~ +0.005	91103- GF6-003 (Putih)	91102- GF6-003 (Biru)	91101- GF6-003 (Merah)			
4 Biru (Blue)	+0.005 ~ +0.007	91103- GF6-003 (Putih)	91102- GF6-003 (Biru)	91101- GF6-003 (Merah)			
5 Coklat (Brown)	+0.007 ~ +0.009	91103- GF6-003 (Putih)	91102- GF6-003 (Biru)	91101- GF6-003 (Merah)			

E - 16

Transmission

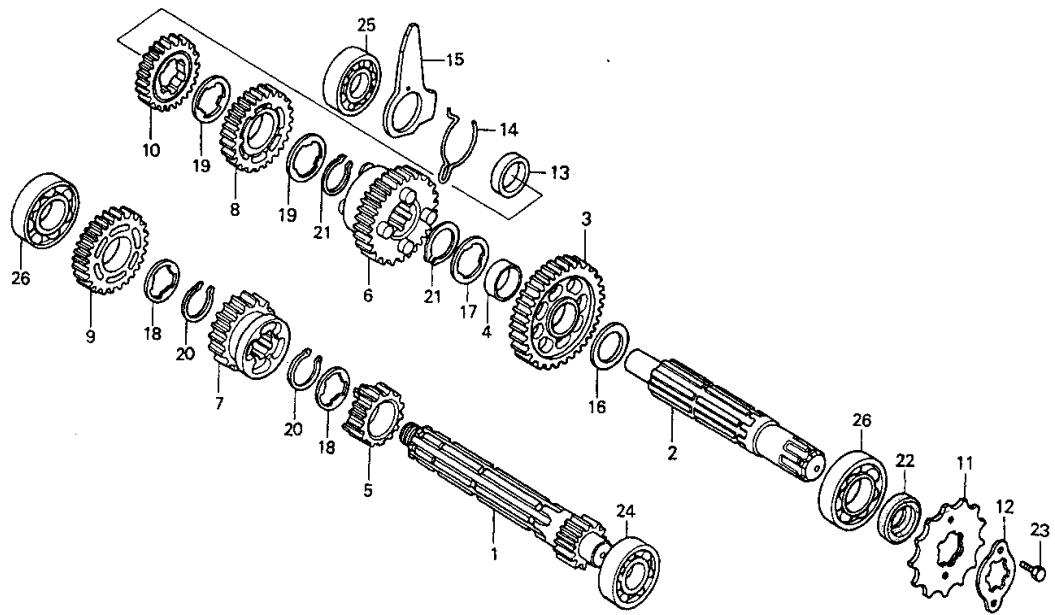


KEVF - NF100

Service item	F.R.T.	No.	Part Number	Description	Q'ty	Notes
MAINSHAFT, TRANSMISSION.....*4.1 (TERMASUK PART YANG BERHUBUNGAN) . COUNTERSHAFT (TERMASUK PART YANG BERHUBUNGAN) (JIKA SELURUH UNIT DISERVIS, F.R.T. ADALAH 4.3) SPROCKET, DRIVE.....0.2		1	23211-GN5-910	MAINSHAFT, TRANSMISSION (12T)	1	
		2	23221-GN5-910	COUNTERSHAFT	1	
		3	23421-GN5-910	GEAR, COUNTERSHAFT LOW (34T)	1	
		4	23422-GB4-770	BUSH, 20x9	1	
		5	23431-GN5-910	GEAR, MAINSHAFT SECOND (17T)	1	
		6	23441-GB4-770	GEAR, COUNTERSHAFT SECOND (29T)	1	
		7	23451-GK4-761	GEAR, MAINSHAFT THIRD (21T)	1	
		8	23461-GK4-762	GEAR, COUNTERSHAFT THIRD (26T)	1	
		9	23471-GN5-910	GEAR, MAINSHAFT FOURTH (24T)	1	
		10	23481-GB4-771	GEAR, COUNTERSHAFT FOURTH (23T)	1	
		11	23801-KEV-880	SPROCKET, DRIVE, 15T	1	
		12	23802-GN5-910	PLATE, FIXING	1	
		13	23911-GB4-770	COLLAR	1	
		14	24305-GB4-770	SPRING	1	
		15	24306-GB4-770	PLATE, GEARSHIFT DRUM LOCK	1	
		16	90452-GB4-770	WASHER, THRUST, 17MM	1	
		17	90461-GB4-770	WASHER, SPLINE	1	
		18	90461-035-000	WASHER, SPLINE, 17MM	2	
		19	90461-459-010	WASHER, SPLINE, 20MM	2	
		20	90601-001-000	CIRCLIP, EXTERNAL, 17MM	2	

E - 16

Transmission

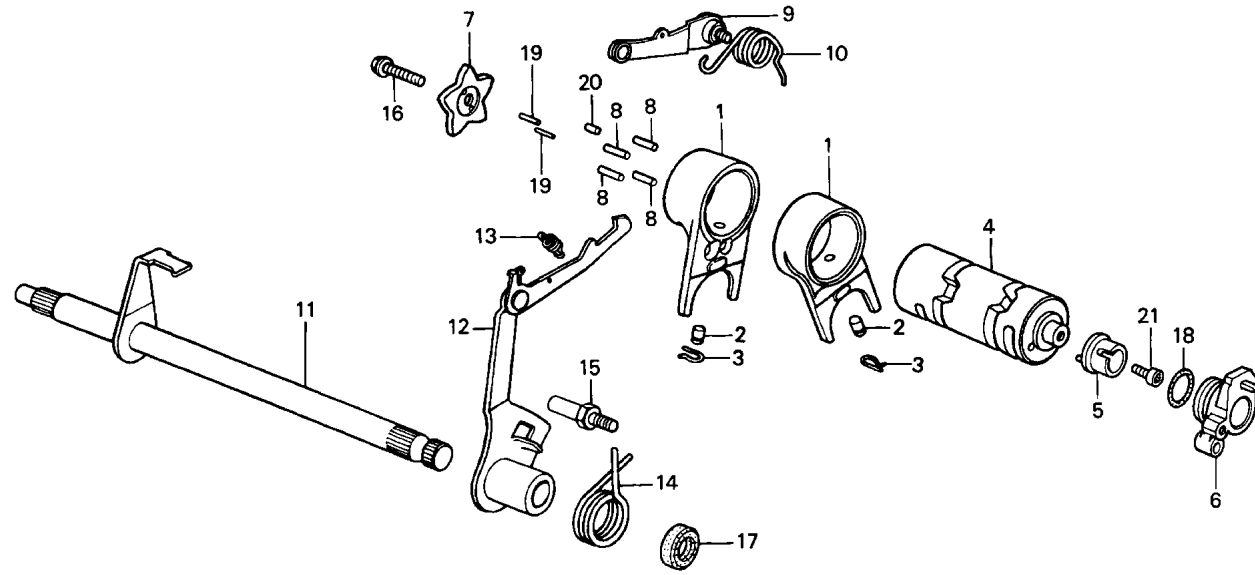


KEVF - NF100

No.	Part Number	Description	Q'ty	Notes
21	90601-459-000	CIRCLIP, 20MM	2	
22	91203-GB5-761	OIL SEAL, 17x29x5	1	
23	92101-06010-0A	BOLT, HEX., 6x10	2	
24	FMB 6001	BEARING, RADIAL BALL, 6001	1	
25	FMB 6201	BEARING, RADIAL BALL, 6201	1	
26	FMB 6203	BEARING, RADIAL BALL, 6203	2	

E - 17

Gearshift drum

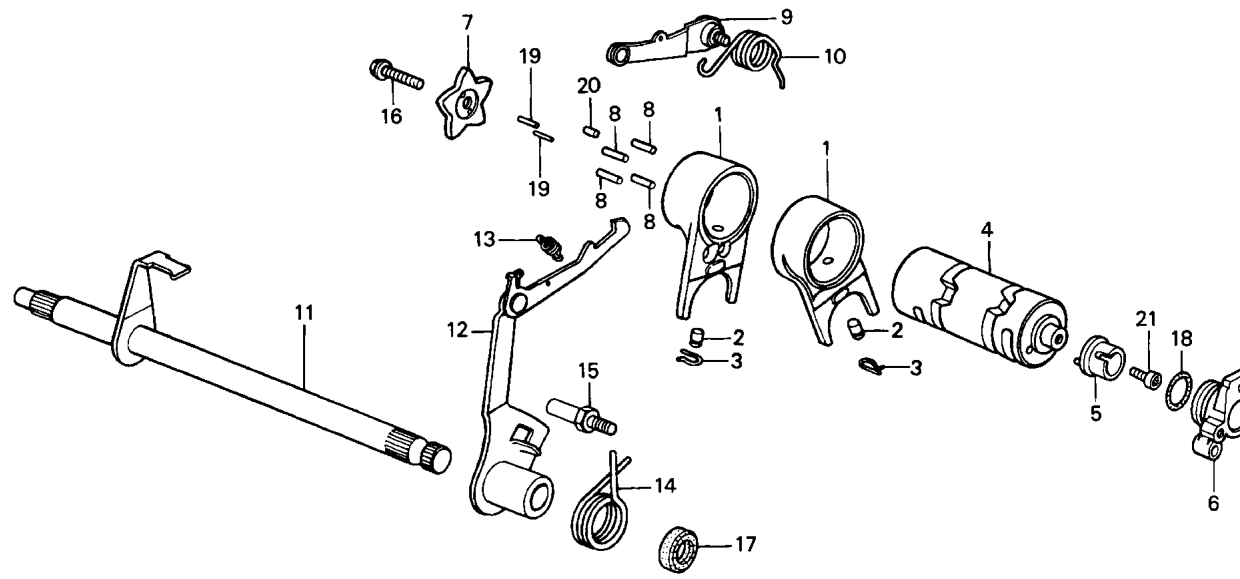


KEVF - NF100

Service item	F.R.T.	No.	Part Number	Description	Q'ty	Notes
FORK, GEARSHIFT.....*4.1 (SATU ATAU SEMUANYA)		1	24211-GF6-000	FORK, GEARSHIFT	2	
. DRUM, GEARSHIFT		2	24261-121-741	PIN, GEARSHIFT FORK GUIDE	2	
PLATE, GEARSHIFT DRUM STOPPER....1.1		3	24263-028-000	CLIP, GEARSHIFT FORK GUIDE PIN	2	
. STOPPER COMP., GEARSHIFT DRUM (TERMASUK PART YANG BERHUBUNGAN)		4	24301-KEV-900	DRUM, GEARSHIFT	1	
SPINDLE COMP., GEARSHIFT.....1.2		5	24320-KEV-900	PIECE, CHANGE SWITCH DRIVER	1	
. ARM COMP., GEARSHIFT (TERMASUK PART YANG BERHUBUNGAN)		6	24322-KEV-900	COLLAR, CHANGE SWITCH	1	
		7	24411-GB4-771	PLATE, GEARSHIFT DRUM STOPPER	1	
		8	24421-200-000	PIN, GEARSHIFT DRUM	4	
		9	24430-GB4-772	STOPPER COMP., GEARSHIFT DRUM.....	1	
		10	24435-GB4-772	SPRING, SHIFT DRUM STOPPER	1	
		11	24610-GN5-900	SPINDLE COMP., GEARSHIFT	1	
		12	24630-GN5-941	ARM COMP., GEARSHIFT	1	
		13	24641-041-000	SPRING, GEARSHIFT ARM	1	
		14	24651-041-000	SPRING, GEARSHIFT RETURN	1	
		15	24652-035-000	PIN, SHIFT RETURN SPRING	1	
		16	90071-171-010	BOLT, KNOCK, 6MM	1	
		17	91208-KB4-671	OIL SEAL, 11.6x24x10	1	
		18	91310-KE8-003	O-RING, 21.5x2	1	
		19	96220-30085	ROLLER, 3x8.5	2	

E - 17

Gearshift drum

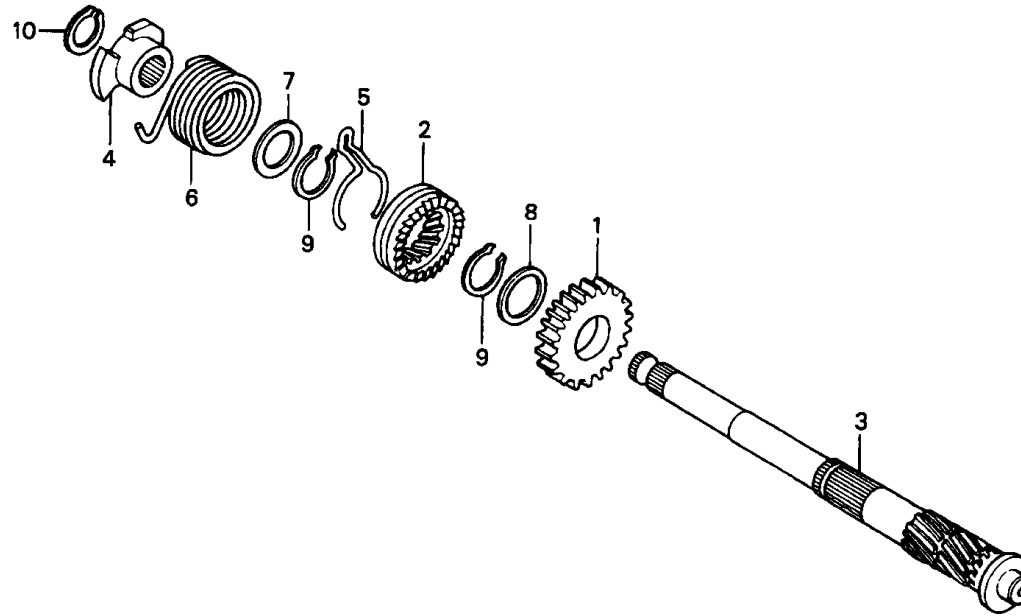


KEVF - NF100

No.	Part Number	Description	Q'ty	Notes
20	96220-40100	ROLLER, 4x10	1	
21	96700-06016-10	BOLT, SOCKET, 6x16	1	

E - 18

Kick starter spindle

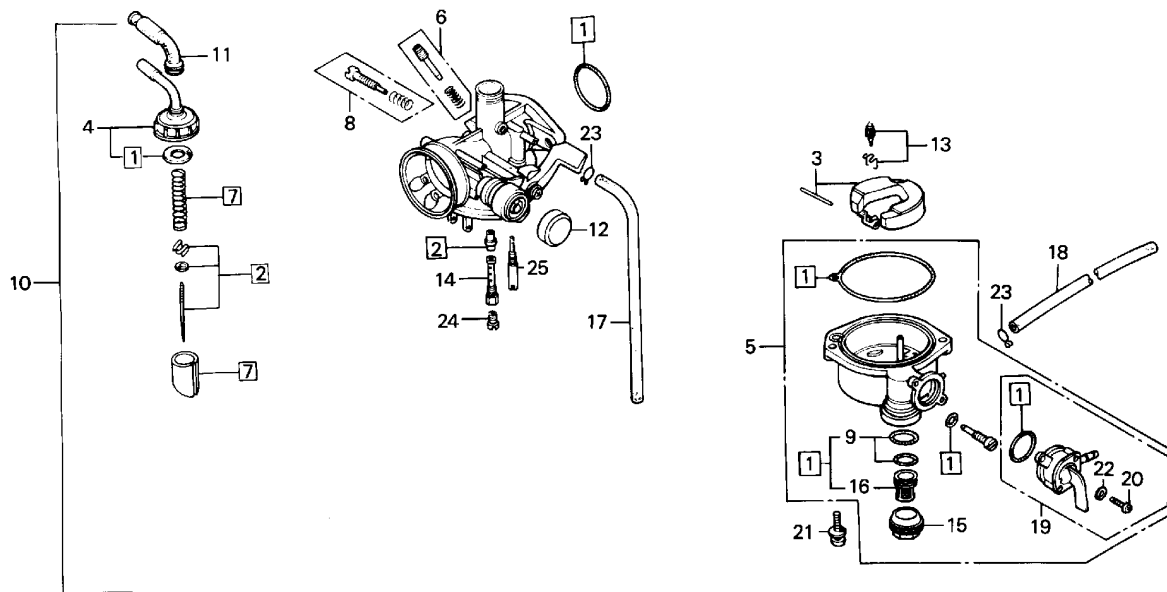


KEVF - NF100

Service item	F.R.T.	No.	Part Number	Description	Q'ty	Notes
PINION, KICKS STARTER.....	*4.0	1	28211-178-000	PINION, KICK STARTER (22T)	1	
. SPINDLE, KICK STARTER		2	28221-178-000	RATCHET, STARTER DRIVE	1	
SPRING, KICK STARTER.....	1.1	3	28251-GN5-910	SPINDLE, KICK STARTER	1	
(TERMASUK PART YANG BERHUBUNGAN)		4	28262-041-731	RETAINER, KICK SPRING	1	
		5	28271-121-690	SPRING, STARTER PINION FRICTION	1	
		6	28281-035-003	SPRING, KICK STARTER	1	
		7	90452-115-000	WASHER, 17MM	1	
		8	90454-107-000	WASHER, THRUST, 20MM	1	
		9	90605-200-000	SET RING, 20MM	2	
		10	94510-16000	CIRCLIP, EXTERNAL, 16MM	1	

E - 19

Carburetor

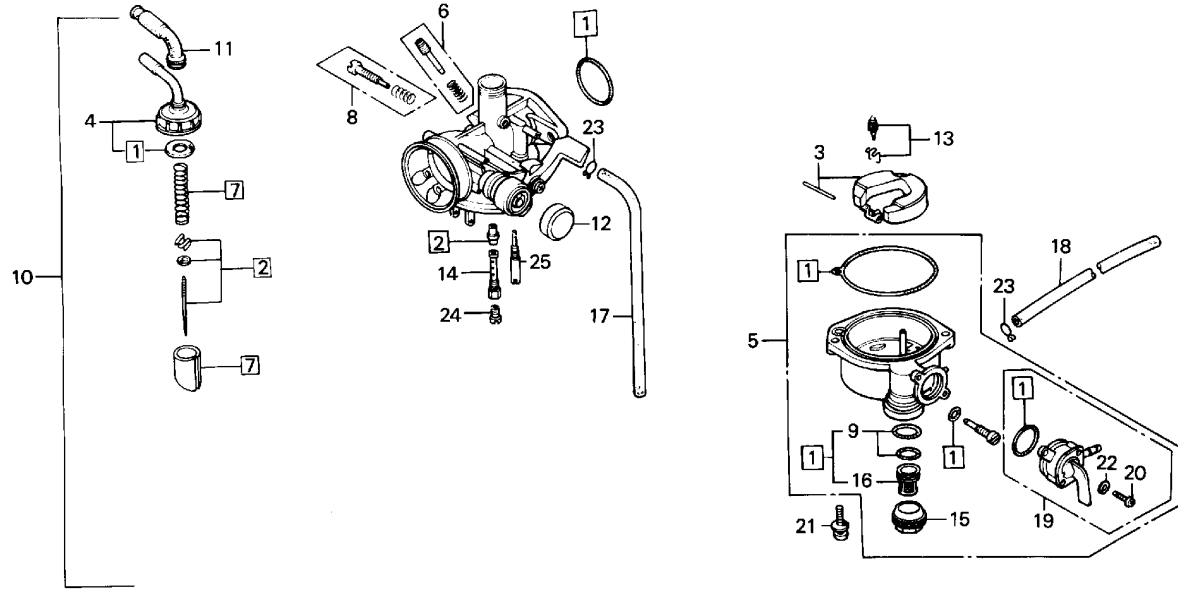


KEVF - NF100

Service item	F.R.T.	No.	Part Number	Description	Q'ty	Notes
NEEDLE SET, JET.....	0.7	1	16010-GBG-960	GASKET SET	1	
FLOAT SET.....	0.6	2	16012-KEV-901	NEEDLE SET, JET	1	
. CARBURETOR ASSY.		3	16013-883-005	FLOAT SET	1	
. VALVE COMP., FLOAT		4	16014-GN8-921	TOP SET	1	
. JET, MAIN,		5	16015-GBG-960	CHAMBER SET, FLOAT	1	
TOP SET.....	0.2	6	16016-KBA-900	SCREW SET	1	
CHAMBER SET, FLOAT.....	0.5	7	16022-KEV-900	VALVE SET, THROTTLE	1	
VALVE SET, THROTTLE.....	0.3	8	16028-GC8-004	SCREW SET A	1	
BODY COMP., COCK.....	0.1	9	16040-GB0-911	GASKET SET	1	
		10	16100-KEV-901	CARBURETOR ASSY. (PB5AA)	1	
		11	16118-GB4-003	CAP, CABLE SEALING	1	
		12	16148-141-881	CAP, CHOKE DUST	1	
		13	16155-883-005	VALVE COMP., FLOAT	1	
		14	16165-GB6-761	HOLDER, NEEDLE JET	1	
		15	16175-GB0-911	CUP, FUEL STRAINER	1	
		16	16176-GB0-911	SCREEN, FUEL, STRAINER	1	
		17	16199-GB0-911	TUBE, AIR VENT	1	
		18	16199-428-771	TUBE, OVER FLOW	1	
		19	16951-KEV-900	BODY COMP., COCK.....	1	
		20	93500-03012-0H	SCREW, PAN, 3x12	2	

15.07.1997

E - 19
Carburetor



KEVF - NF100

No.	Part Number	Description	Q'ty	Notes
21	93892-04018-18	SCREW-WASHER, 4x18	2	
22	94111-03000	WASHER, SPRING, 3 MM	2	
23	95002-02650	CLIP, TUBE (B6.5)	2	
24	99101-116-0720	JET, MAIN, NO. 72	1	
25	99107-141-0380	JET, SLOW, NO. 38	1	